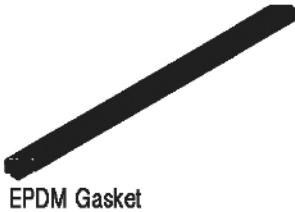
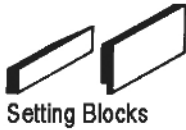
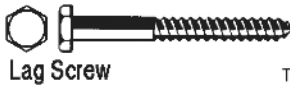
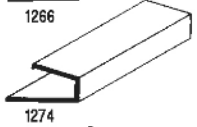
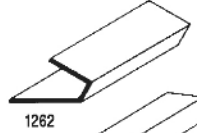


AUBURN® ENGINEERED SKYLIGHTS

SKYLIGHT SYSTEMS & APPROVED MATERIALS

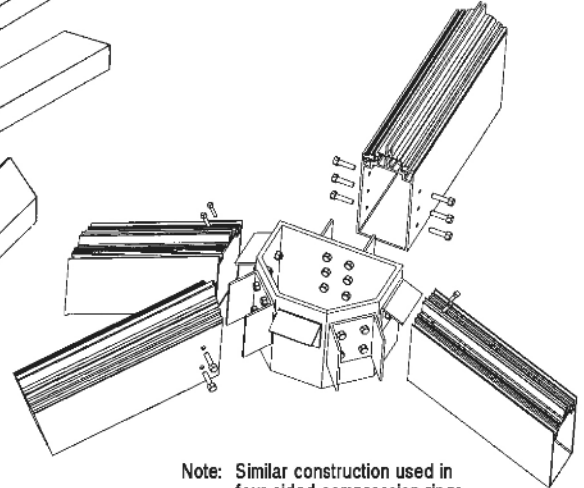


Curb Starters



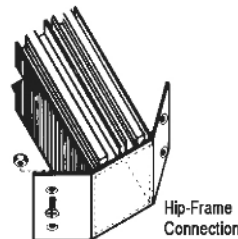
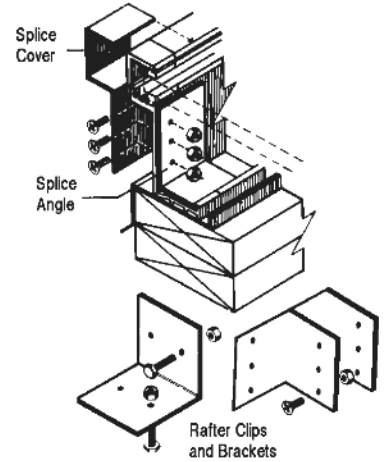
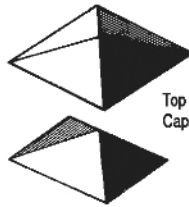
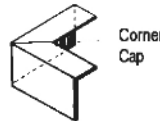
Compression Ring Assemblies

GLASS/PLASTIC SKYLIGHT INSTALLATION DETAILS
(SKYLIGHT SYSTEMS & APPROVED MATERIALS)



Note: Similar construction used in four-sided compression rings.

Typical Closure and Caps



Rafter Clips and Brackets

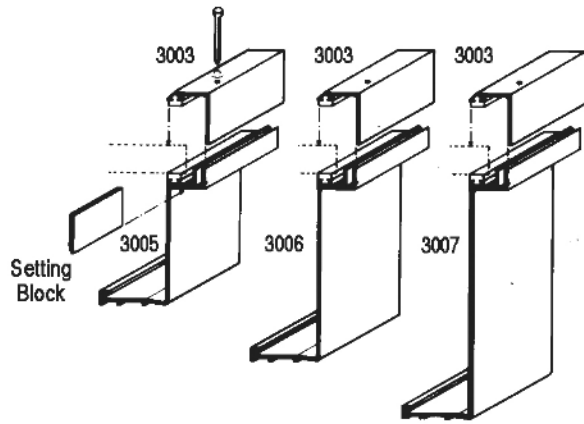
SEE TYPICAL INSTALLATION ILLUSTRATION IN SECTION 2



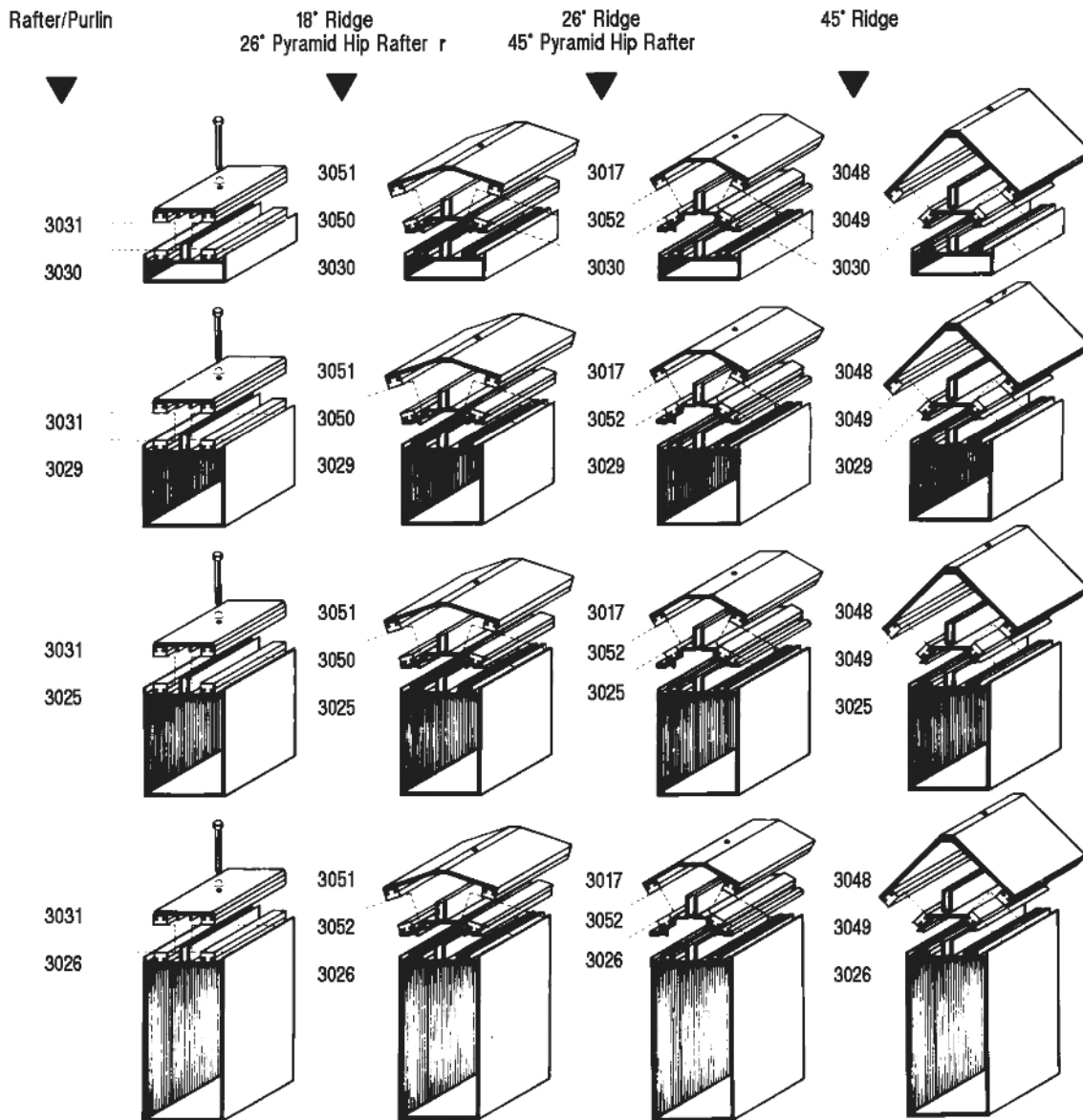
MAJOR INDUSTRIES, INC., PO BOX 306, WAUSAU, WI 54402
TOLL-FREE: 888-759-2678, PHONE: 715-842-4616, FAX: 715-848-3336
EMAIL: INFO@MAJORSKYLIGHTS.COM, WWW.MAJORSKYLIGHTS.COM

AUBURN® ENGINEERED SKYLIGHTS

CAPS & FRAMES



RAFTER/PURLIN RIDGES & RAFTERS



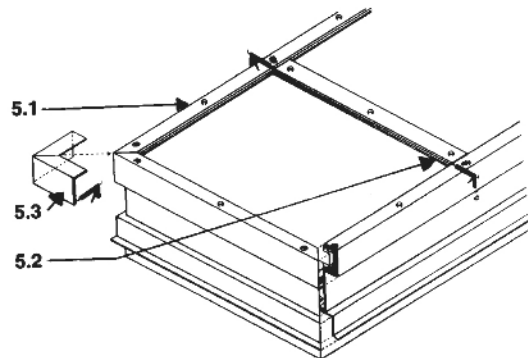
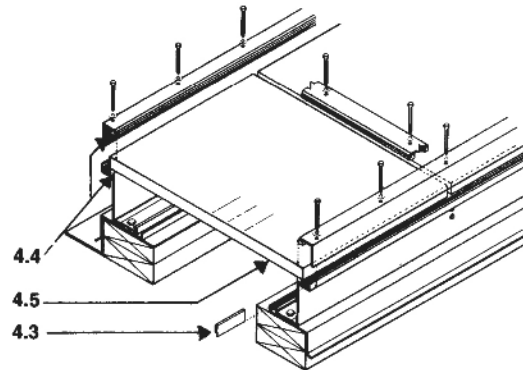
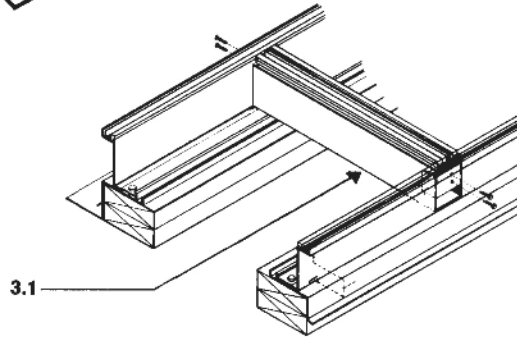
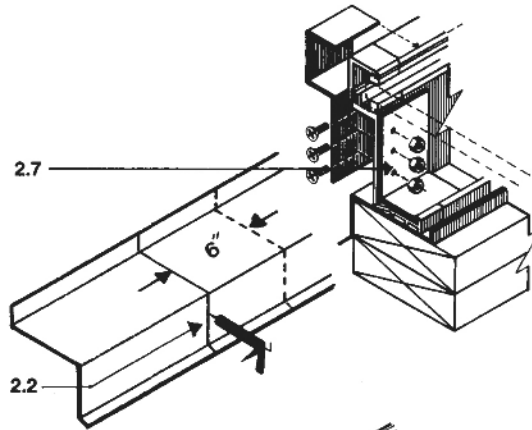
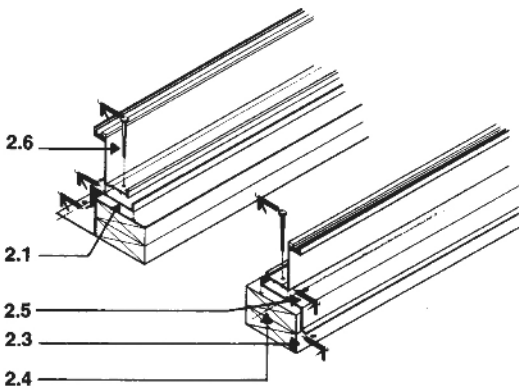
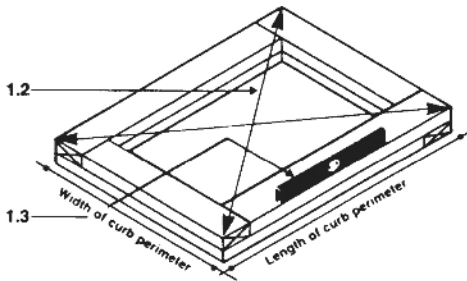
SEE TYPICAL INSTALLATION ILLUSTRATION IN SECTION 2



MAJOR INDUSTRIES, INC., PO BOX 306, WAUSAU, WI 54402
 TOLL-FREE: 888-759-2678, PHONE: 715-842-4616, FAX: 715-848-3336
 EMAIL: INFO@MAJORSKYLIGHTS.COM, WWW.MAJORSKYLIGHTS.COM

AUBURN® ENGINEERED SKYLIGHTS

SINGLE SLOPE SEQUENTIAL INSTALLATION DETAILS



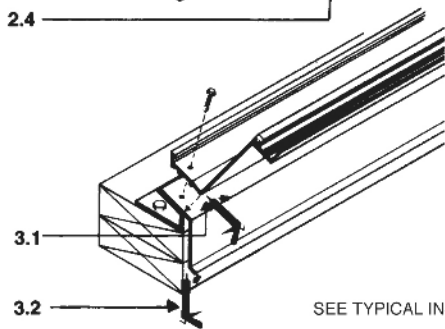
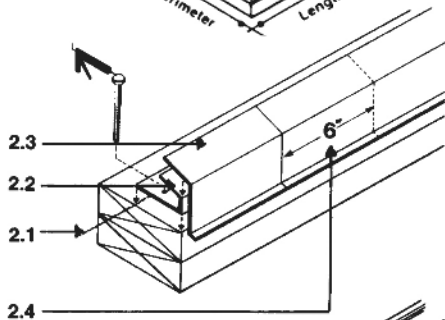
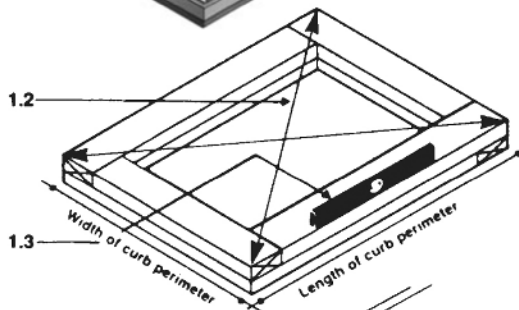
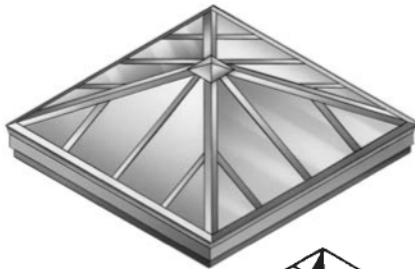
SEE TYPICAL INSTALLATION ILLUSTRATION IN SECTION 2



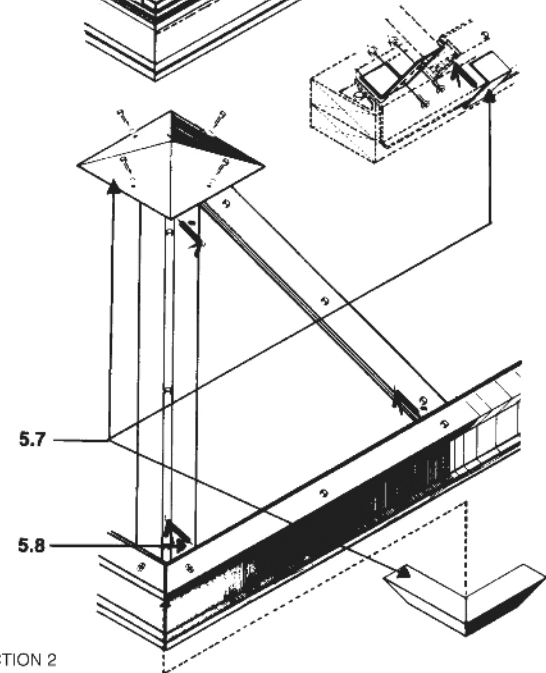
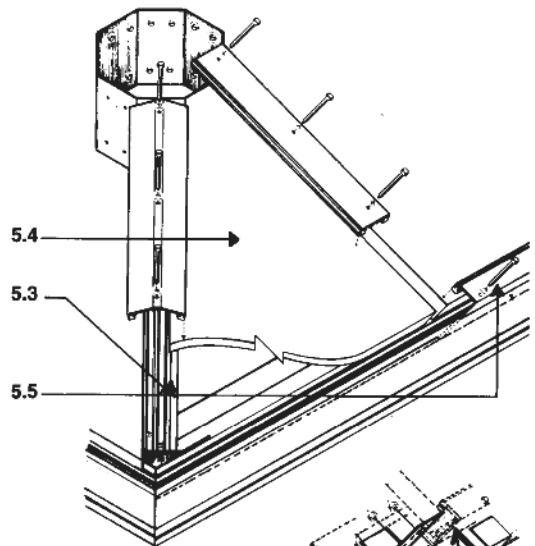
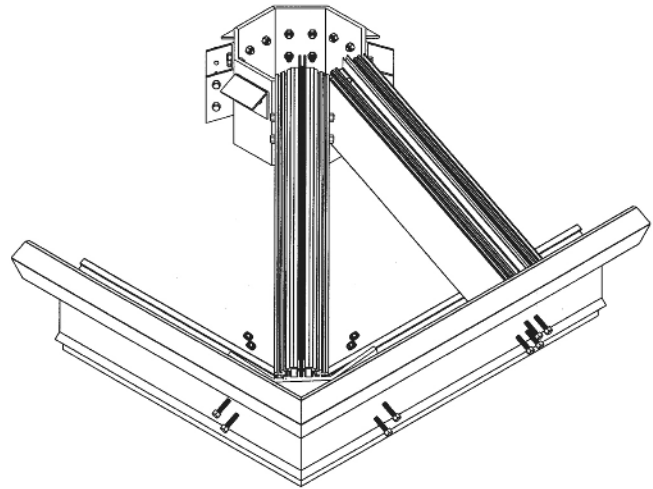
MAJOR INDUSTRIES, INC., PO BOX 306, WAUSAU, WI 54402
 TOLL-FREE: 888-759-2678, PHONE: 715-842-4616, FAX: 715-848-3336
 EMAIL: INFO@MAJORSKYLIGHTS.COM, WWW.MAJORSKYLIGHTS.COM

AUBURN® ENGINEERED SKYLIGHTS

PYRAMID SEQUENTIAL INSTALLATION DETAILS



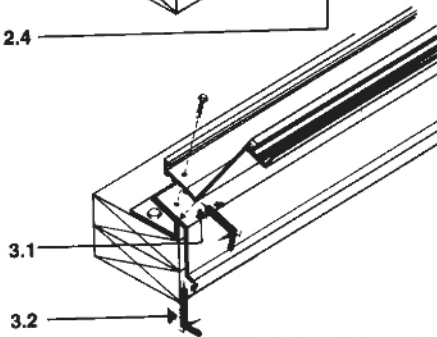
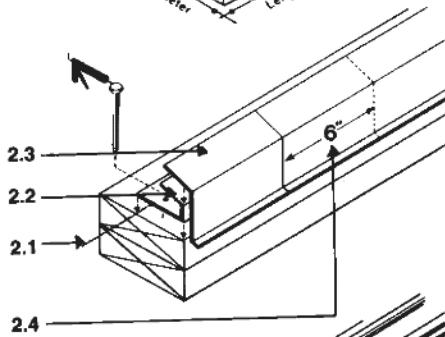
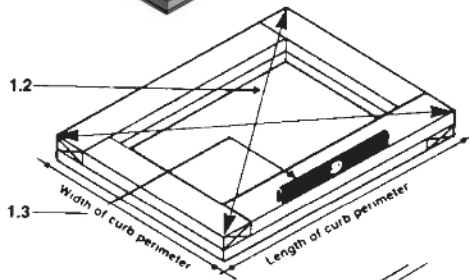
SEE TYPICAL INSTALLATION ILLUSTRATION IN SECTION 2



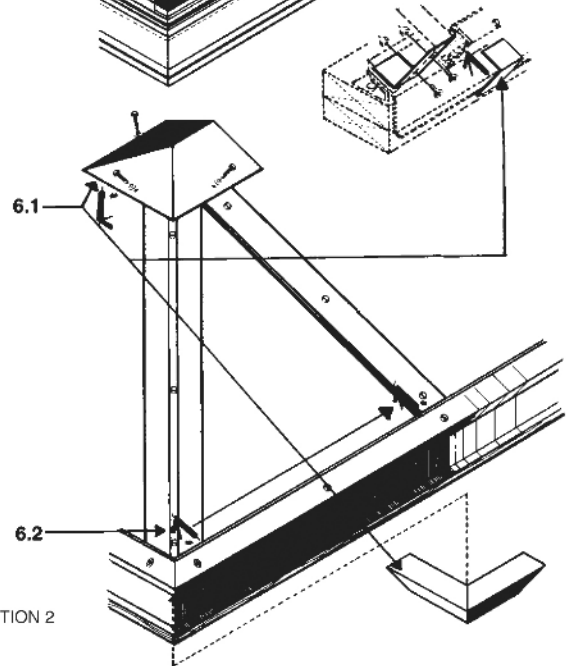
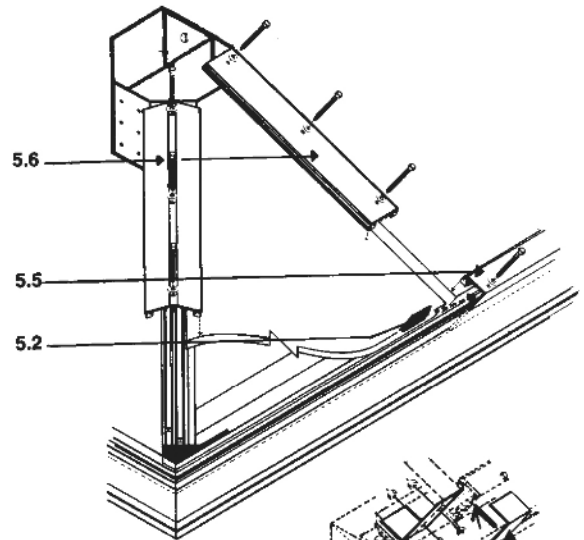
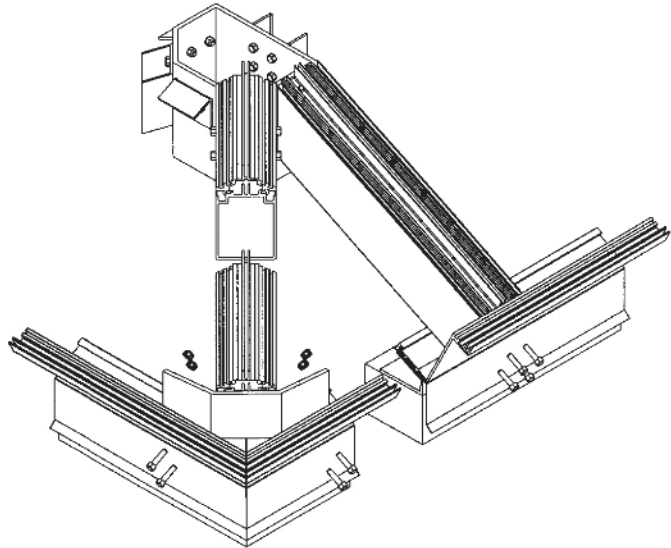
MAJOR INDUSTRIES, INC., PO BOX 306, WAUSAU, WI 54402
TOLL-FREE: 888-759-2678, PHONE: 715-842-4616, FAX: 715-848-3336
EMAIL: INFO@MAJORSKYLIGHTS.COM, WWW.MAJORSKYLIGHTS.COM

AUBURN® ENGINEERED SKYLIGHTS

HIPPED RIDGE SEQUENTIAL INSTALLATION DETAILS



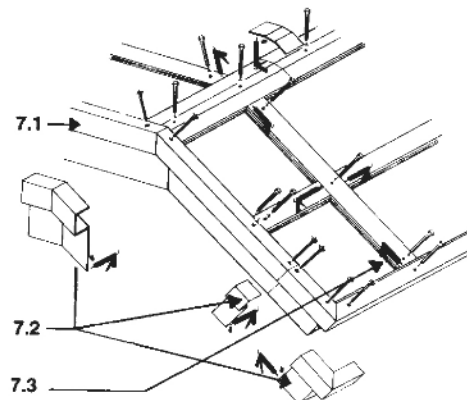
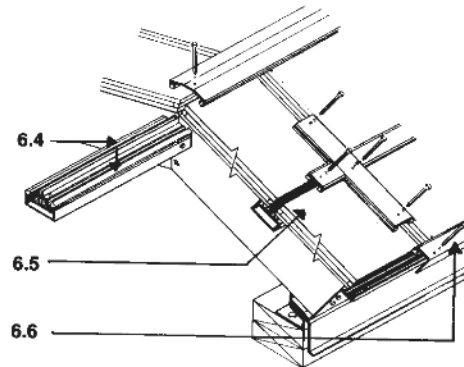
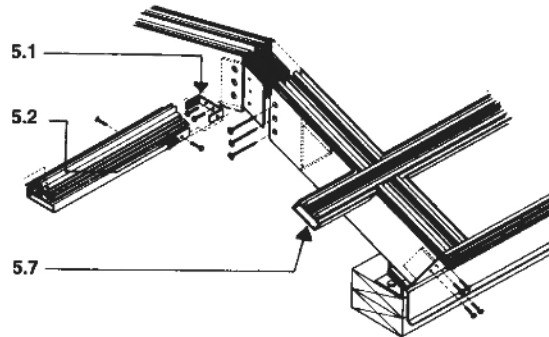
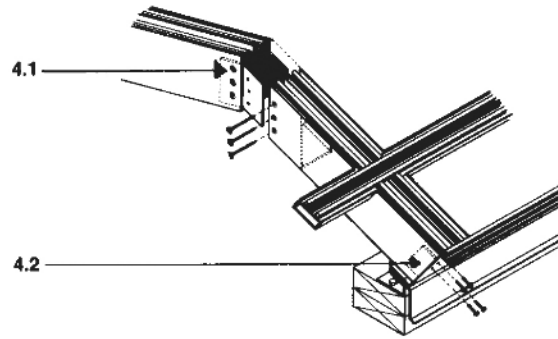
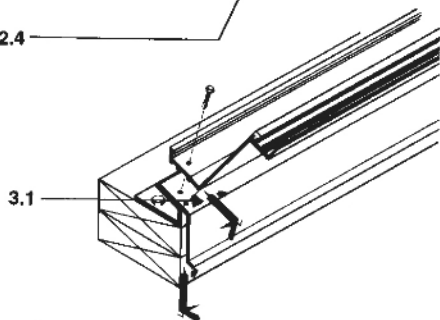
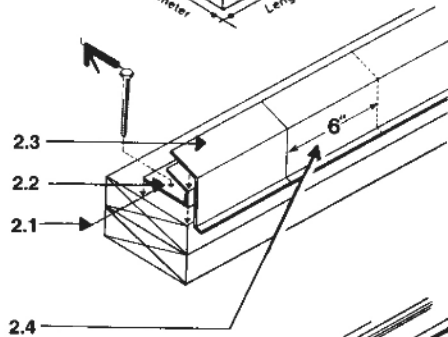
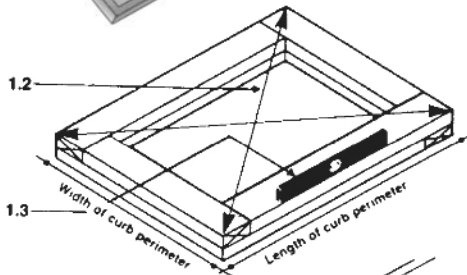
SEE TYPICAL INSTALLATION ILLUSTRATION IN SECTION 2



MAJOR INDUSTRIES, INC., PO BOX 306, WAUSAU, WI 54402
TOLL-FREE: 888-759-2678, PHONE: 715-842-4616, FAX: 715-848-3336
EMAIL: INFO@MAJORSKYLIGHTS.COM, WWW.MAJORSKYLIGHTS.COM

AUBURN® ENGINEERED SKYLIGHTS

SINGLE-PIECE RIDGE SEQUENTIAL INSTALLATION DETAILS



SEE TYPICAL INSTALLATION ILLUSTRATION IN SECTION 2



MAJOR INDUSTRIES, INC., PO BOX 306, WAUSAU, WI 54402
TOLL-FREE: 888-759-2678, PHONE: 715-842-4616, FAX: 715-848-3336
EMAIL: INFO@MAJORSKYLIGHTS.COM, WWW.MAJORSKYLIGHTS.COM