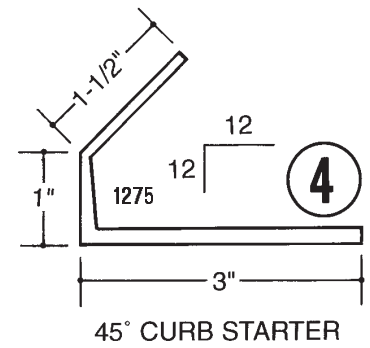
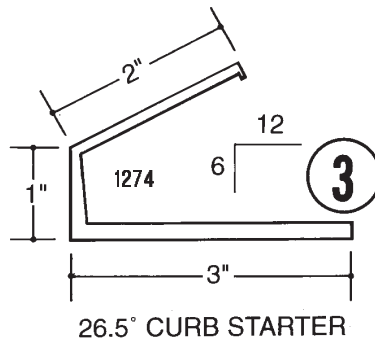
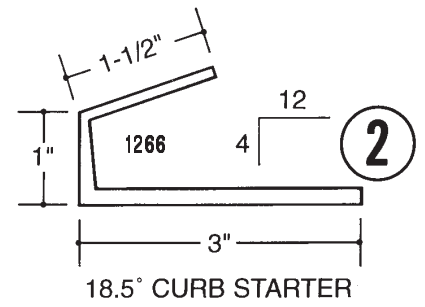
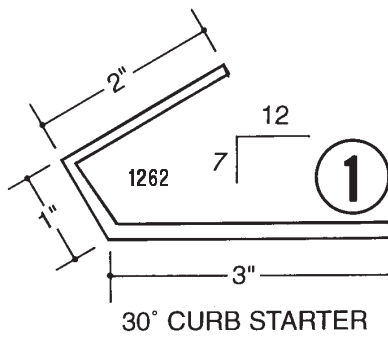




MAJOR INDUSTRIES, INC.

P.O. Box 306
 Wausau, Wisconsin 54402-0306
 Phone: (715) 842-4616
 Fax: (715) 848-3336
 Toll Free: (888) SkyCost (888-759-2678)
<http://www.majorskylights.com>
 e-mail: info@majorskylights.com

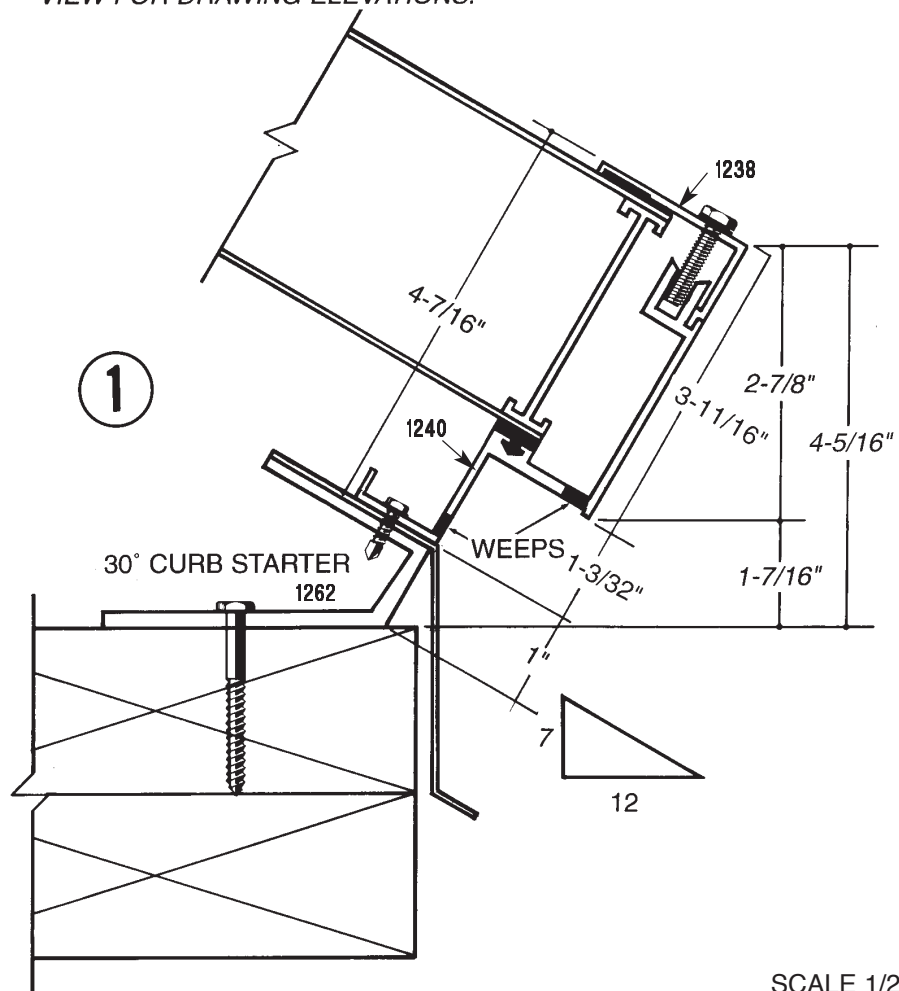


CURB STARTERS

TERMS OF USE:

This technical manual is designed to allow an architect or specifier to use Major's daylighting system in their projects. Thus, you may extract drawings, specifications, and details for use in your projects, and you may distribute these materials as necessary in association with the project. However, Major Industries still retains exclusive copyright to their materials; we only grant rights to use the materials in association with projects or project proposals. Any other use, including distribution, modification, storage, or dissemination to third parties unrelated to the project is strictly prohibited.

ITALIC DIMENSIONS REPRESENT STRAIGHT ON VIEW FOR DRAWING ELEVATIONS.



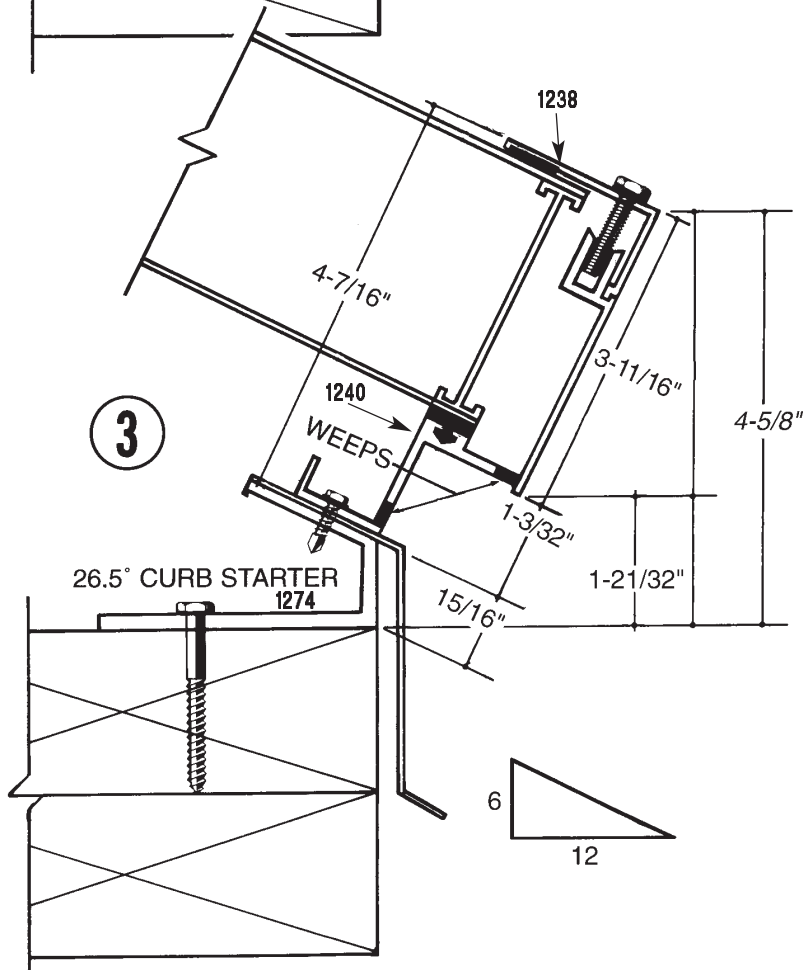
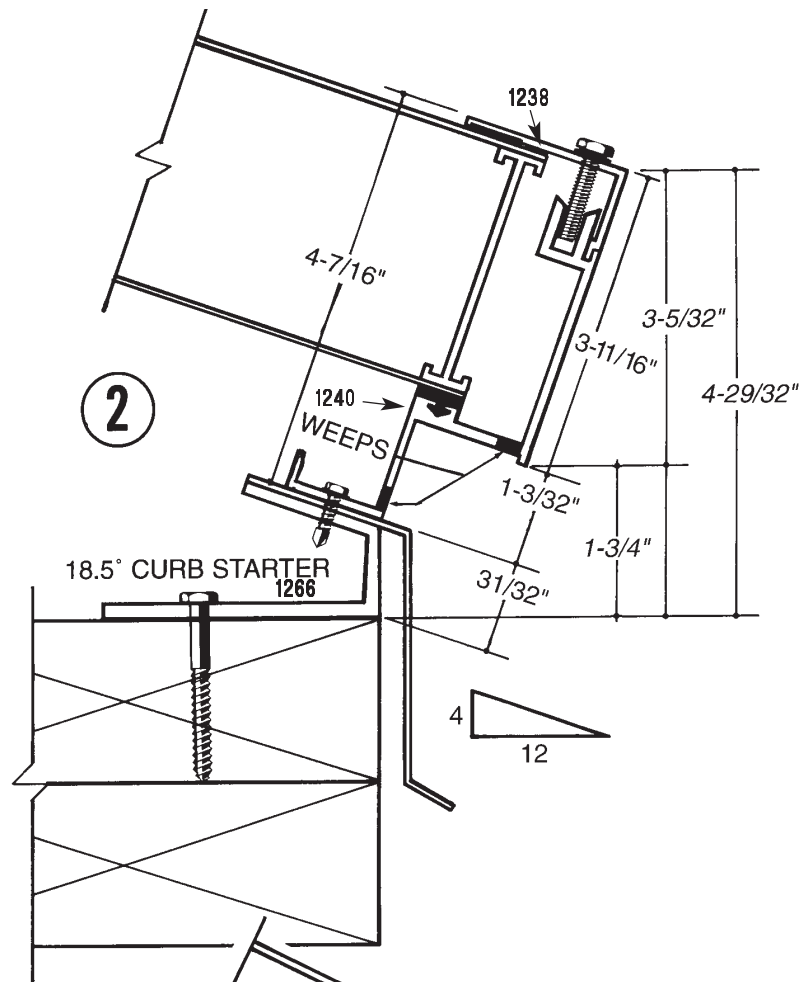
SILL & FRAMES

SCALE 1/2" = 1"



MAJOR INDUSTRIES, INC.
 P.O. Box 306
 Wausau, Wisconsin 54402-0306
 Phone: (715) 842-4616
 Fax: (715) 848-3336
 Toll Free: (888) SkyCost (888-759-2678)
<http://www.majorskylights.com>
 e-mail: info@majorskylights.com

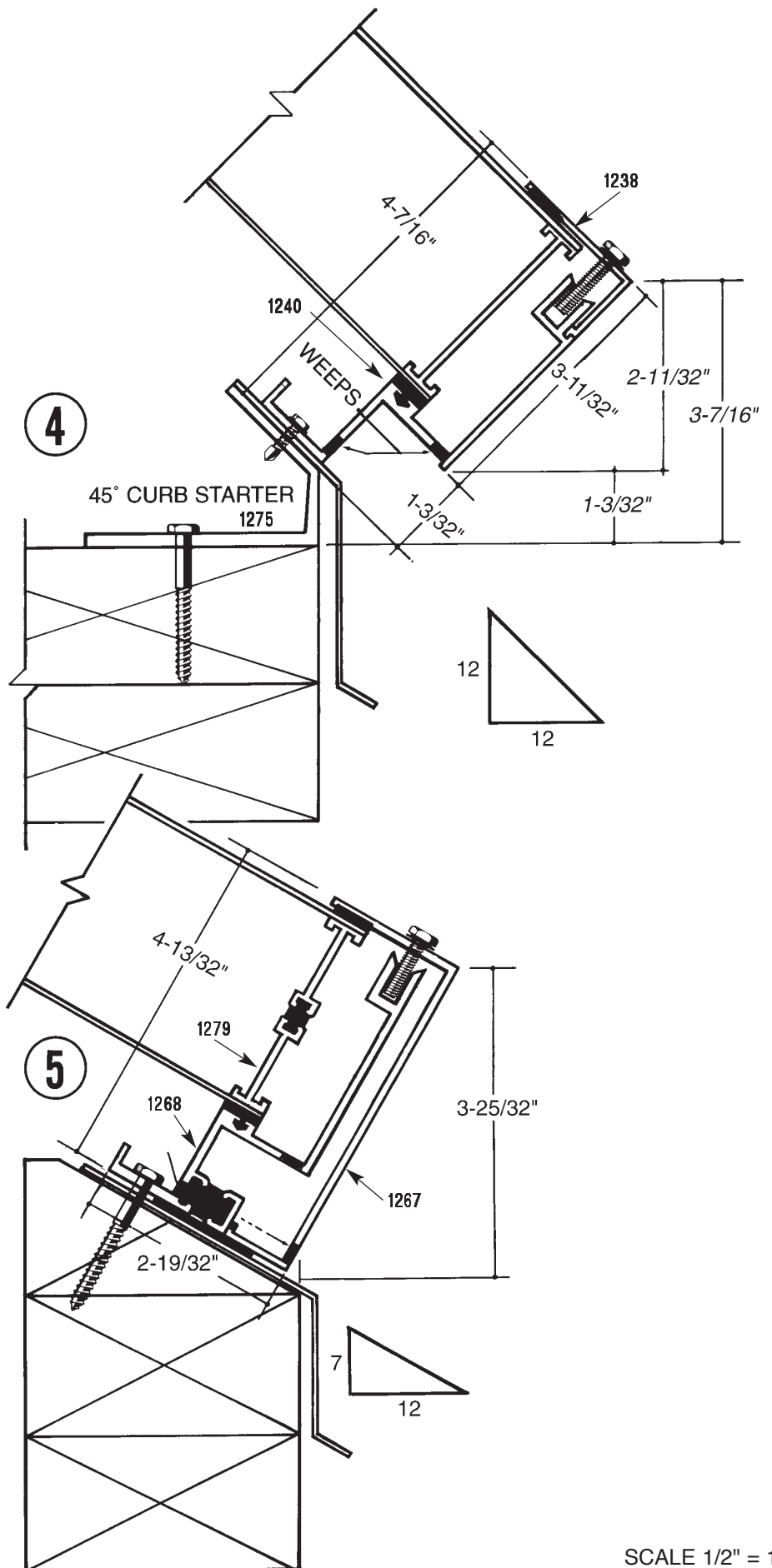
SILLS & FRAMES





MAJOR INDUSTRIES, INC.
 P.O. Box 306
 Wausau, Wisconsin 54402-0306
 Phone: (715) 842-4616
 Fax: (715) 848-3336
 Toll Free: (888) SkyCost (888-759-2678)
<http://www.majorskylights.com>
 e-mail: info@majorskylights.com

SILLS & FRAMES

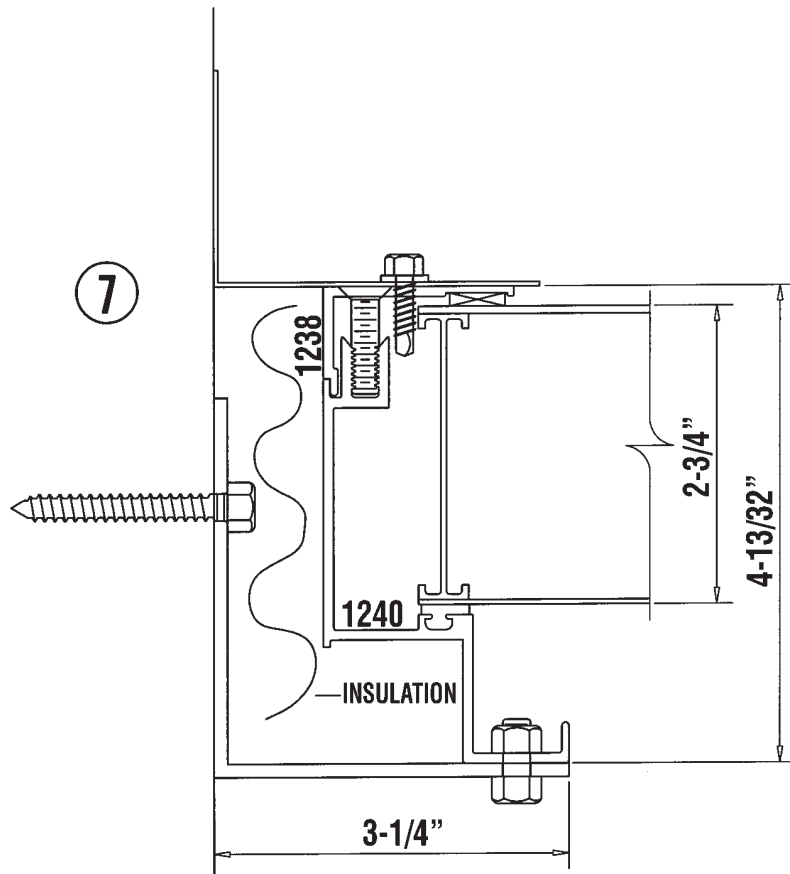
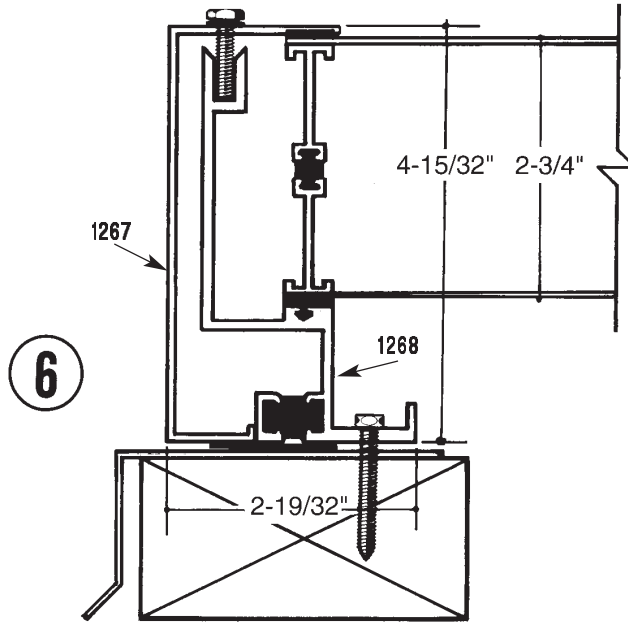


SCALE 1/2" = 1"



MAJOR INDUSTRIES, INC.
 P.O. Box 306
 Wausau, Wisconsin 54402-0306
 Phone: (715) 842-4616
 Fax: (715) 848-3336
 Toll Free: (888) SkyCost (888-759-2678)
<http://www.majorskylights.com>
 e-mail: info@majorskylights.com

JAMBS

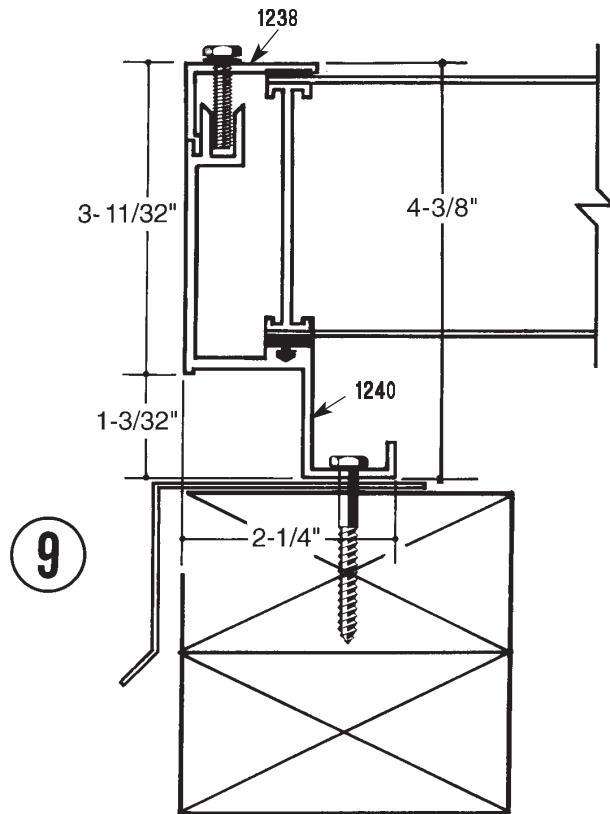
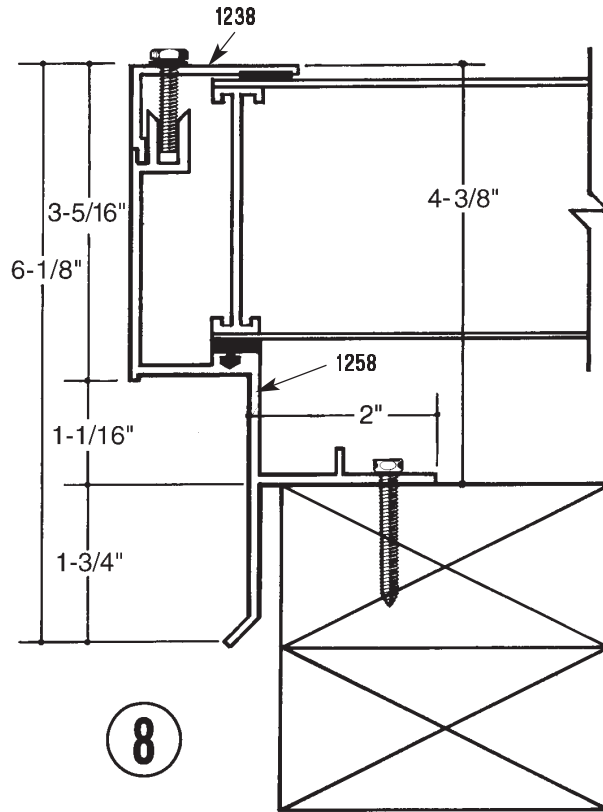


SCALE 1/2" = 1"



MAJOR INDUSTRIES, INC.
 P.O. Box 306
 Wausau, Wisconsin 54402-0306
 Phone: (715) 842-4616
 Fax: (715) 848-3336
 Toll Free: (888) SkyCost (888-759-2678)
<http://www.majorskylights.com>
 e-mail: info@majorskylights.com

**JAMBS &
 FRAMES**



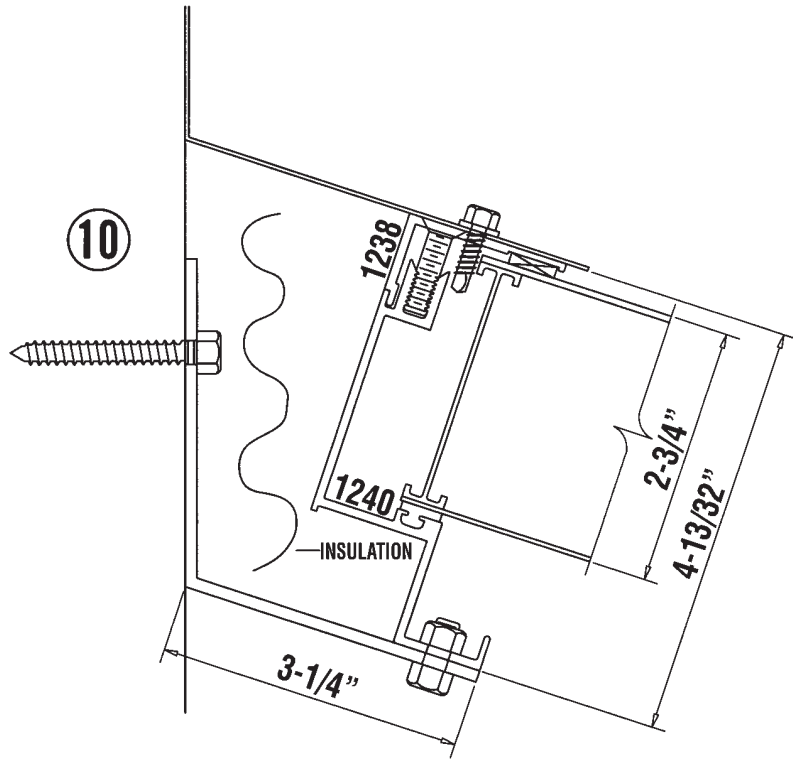
SCALE 1/2" = 1"



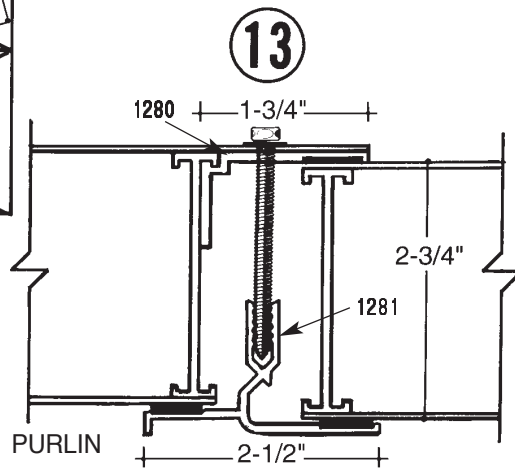
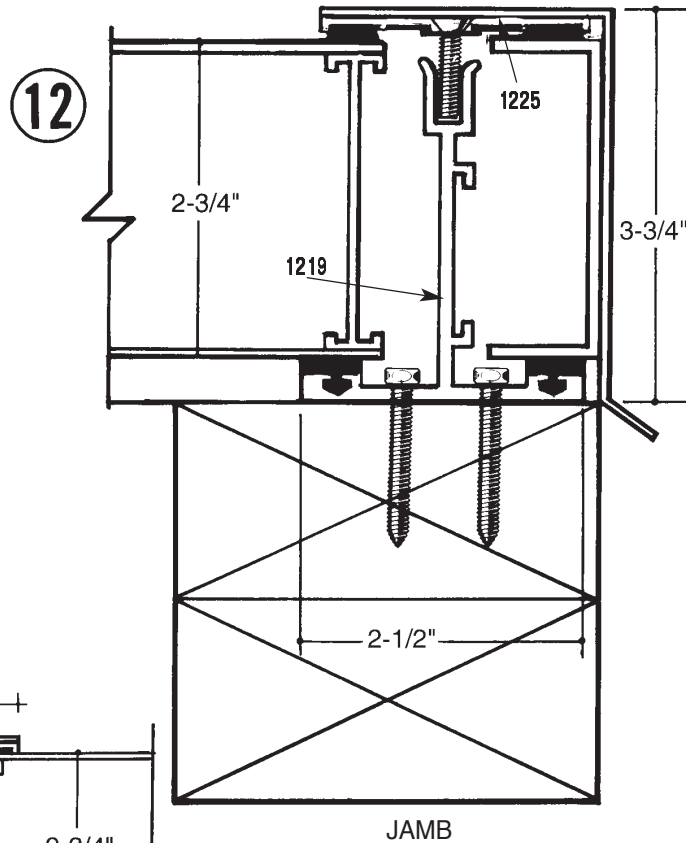
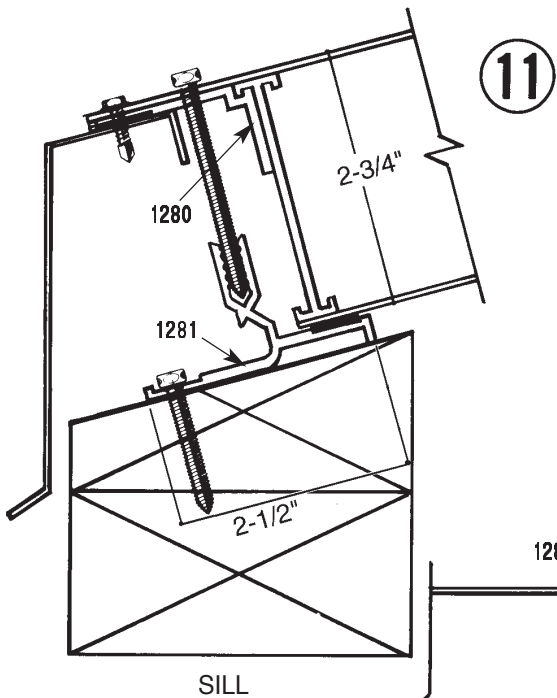
MAJOR INDUSTRIES, INC.

P.O. Box 306
 Wausau, Wisconsin 54402-0306
 Phone: (715) 842-4616
 Fax: (715) 848-3336
 Toll Free: (888) SkyCost (888-759-2678)
 http://www.majorskylights.com
 e-mail: info@majorskylights.com

HEAD



OVERLAP SYSTEM



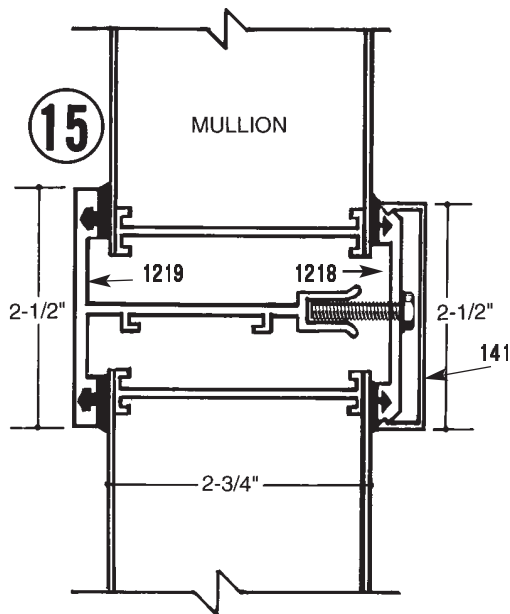
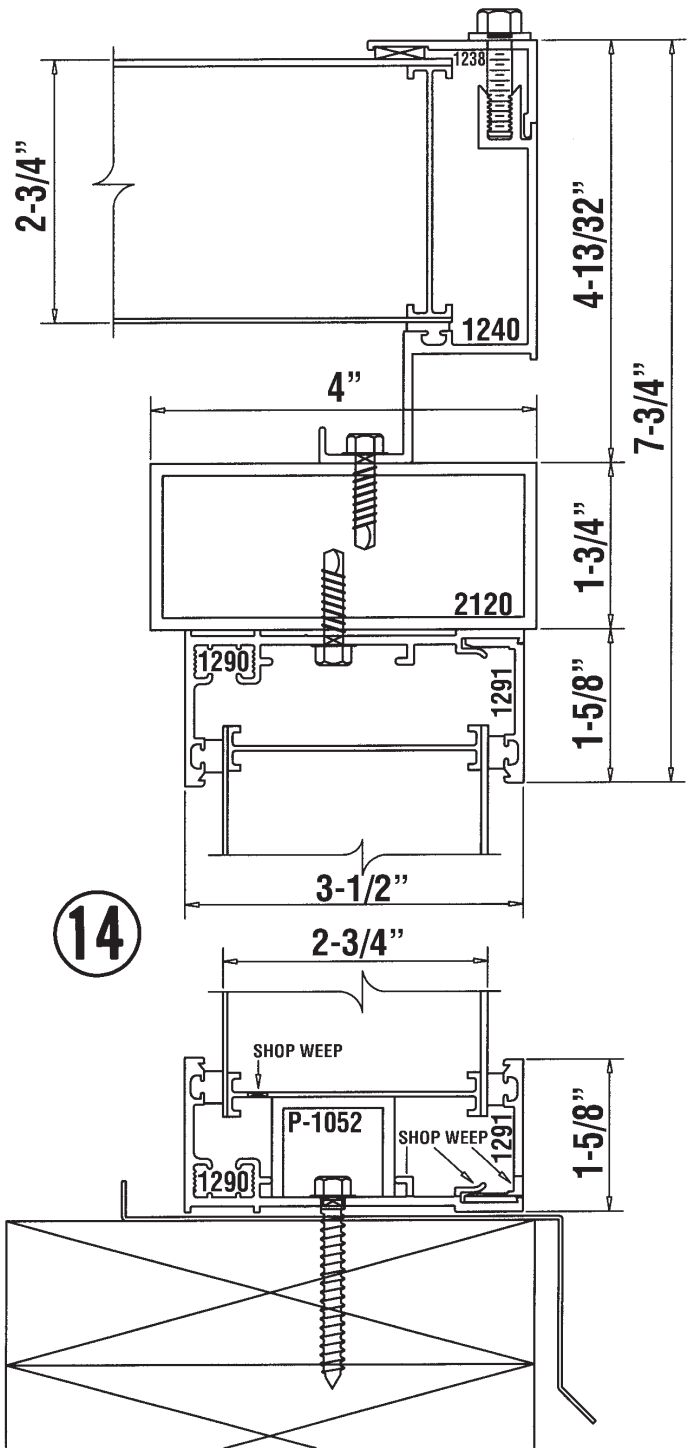
SCALE 1/2" = 1"



MAJOR INDUSTRIES, INC.

P.O. Box 306
 Wausau, Wisconsin 54402-0306
 Phone: (715) 842-4616
 Fax: (715) 848-3336
 Toll Free: (888) SkyCost (888-759-2678)
<http://www.majorskylights.com>
 e-mail: info@majorskylights.com

**END WALL
 SILL
 MULLION**

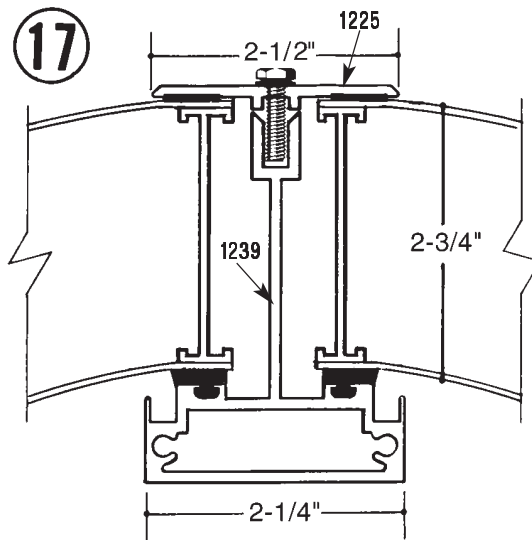
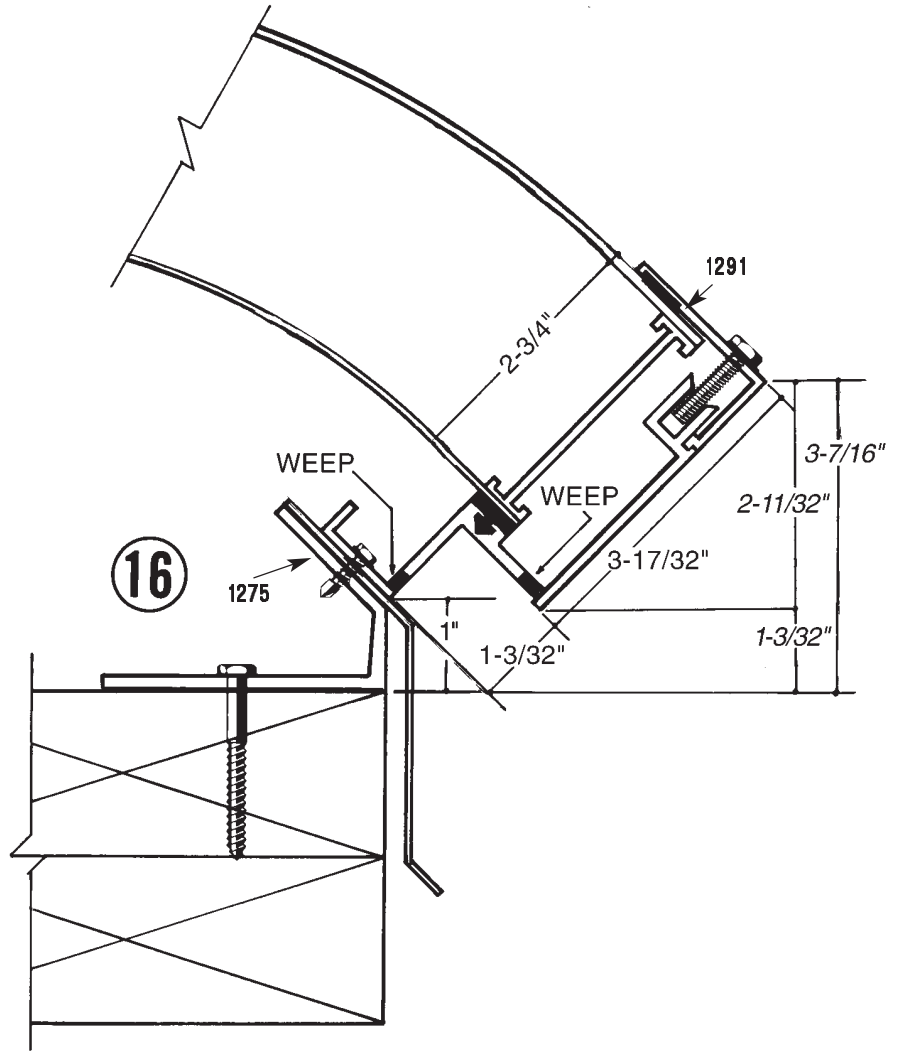


SCALE 1/2" = 1"



MAJOR INDUSTRIES, INC.
 P.O. Box 306
 Wausau, Wisconsin 54402-0306
 Phone: (715) 842-4616
 Fax: (715) 848-3336
 Toll Free: (888) SkyCost (888-759-2678)
<http://www.majorskylights.com>
 e-mail: info@majorskylights.com

TransCURVE™
SILL
MULLION



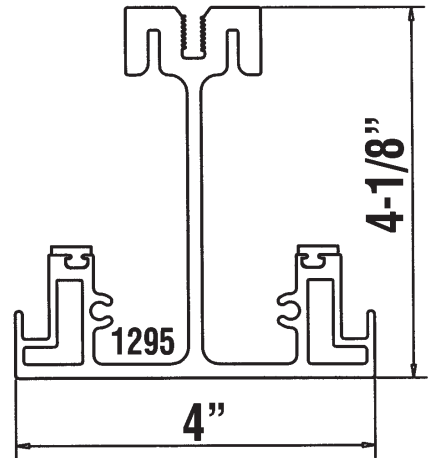
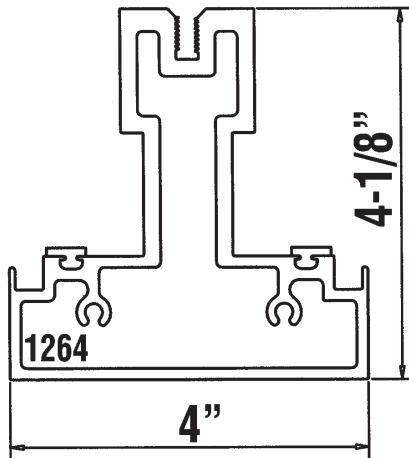
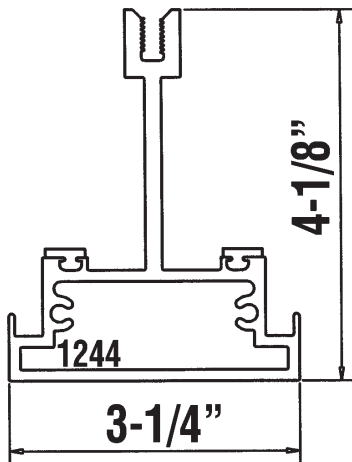
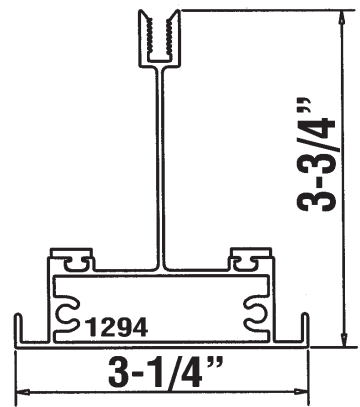
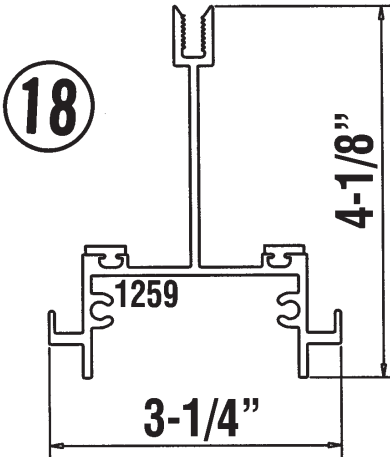
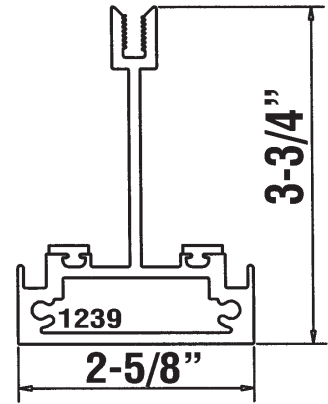
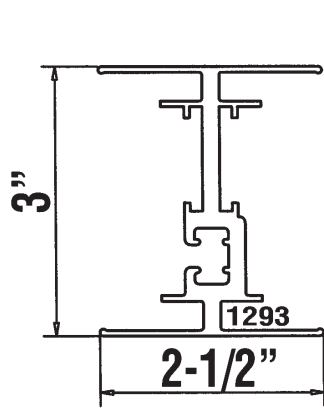


MAJOR INDUSTRIES, INC.

P.O. Box 306
 Wausau, Wisconsin 54402-0306
 Phone: (715) 842-4616
 Fax: (715) 848-3336
 Toll Free: (888) SkyCost (888-759-2678)
<http://www.majorskylights.com>
 e-mail: info@majorskylights.com

RAFTERS

THE SELECTION OF SPECIFIC
 PURLINS AND RAFTERS
 IS BASED ON SPAN AND
 LOAD REQUIREMENTS



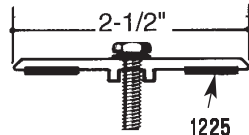
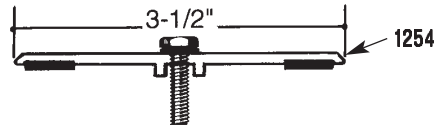


MAJOR INDUSTRIES, INC.
 P.O. Box 306
 Wausau, Wisconsin 54402-0306
 Phone: (715) 842-4616
 Fax: (715) 848-3336
 Toll Free: (888) SkyCost (888-759-2678)
<http://www.majorskylights.com>
 e-mail: info@majorskylights.com

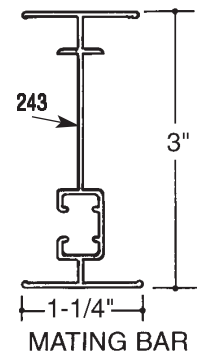
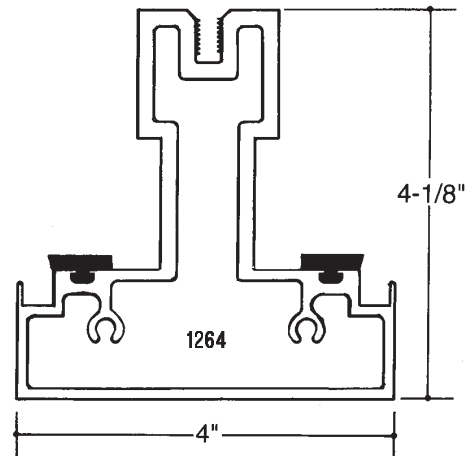
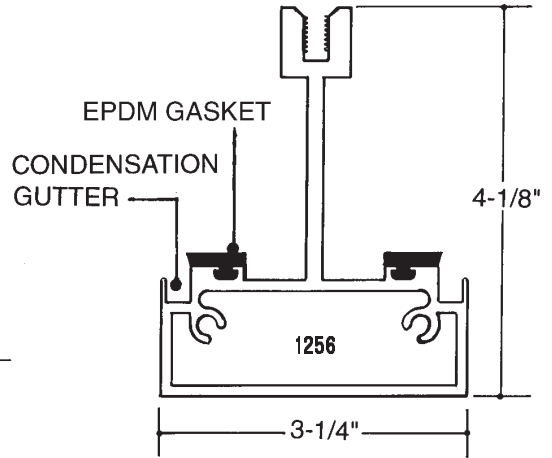
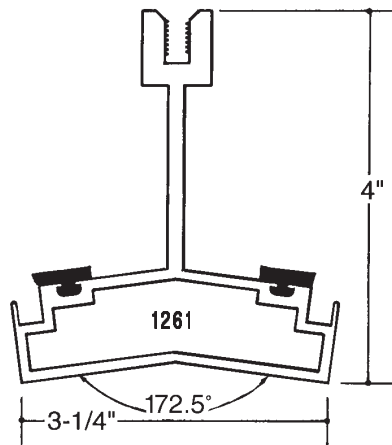
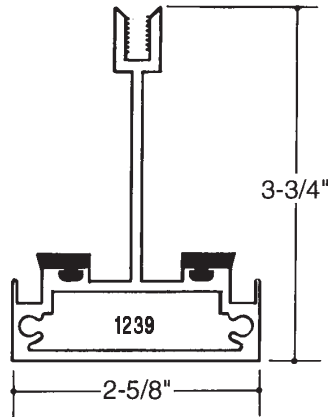
RAFTER CAPS & PURLINS

19

THE SELECTION OF SPECIFIC PURLINS AND RAFTERS IS BASED ON SPAN AND LOAD REQUIREMENTS



20



SCALE 1/2" = 1"

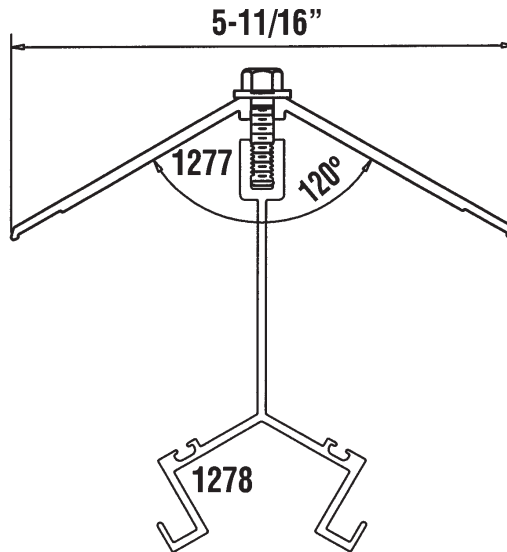
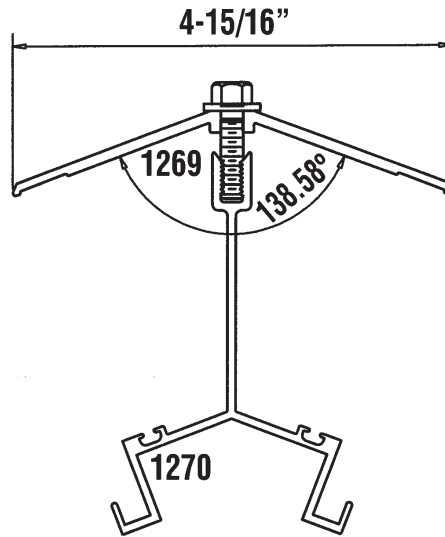
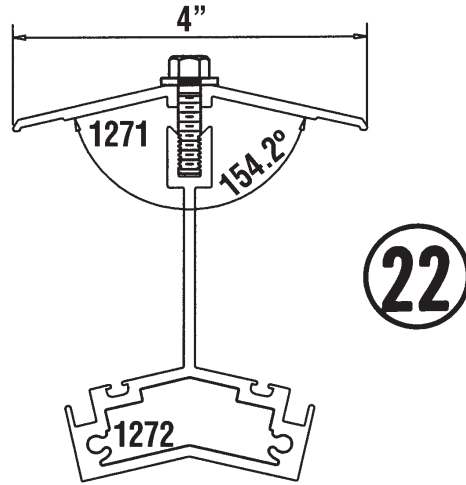


MAJOR INDUSTRIES, INC.

P.O. Box 306
Wausau, Wisconsin 54402-0306
Phone: (715) 842-4616
Fax: (715) 848-3336
Toll Free: (888) SkyCost (888-759-2678)
<http://www.majorskylights.com>
e-mail: info@majorskylights.com

**HIP/RIDGE
COVERS**

DETAILS



SCALE 1/2" = 1"

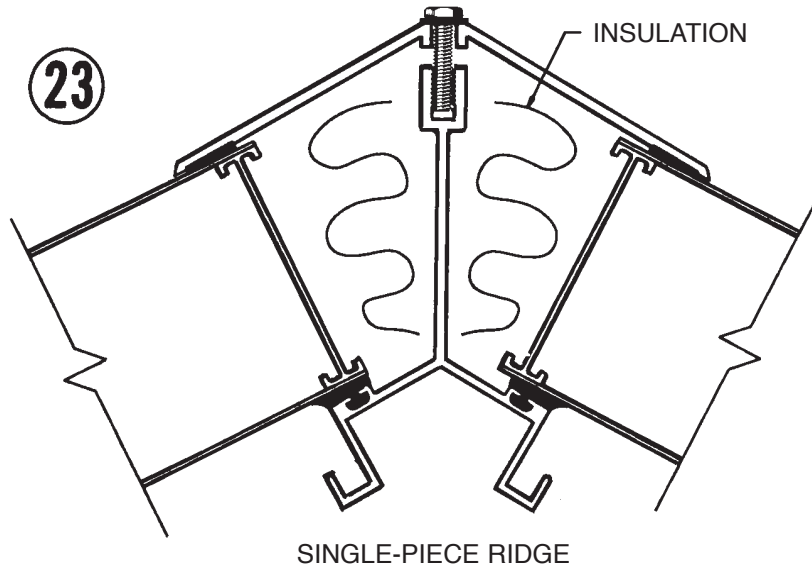
NOT TO SCALE



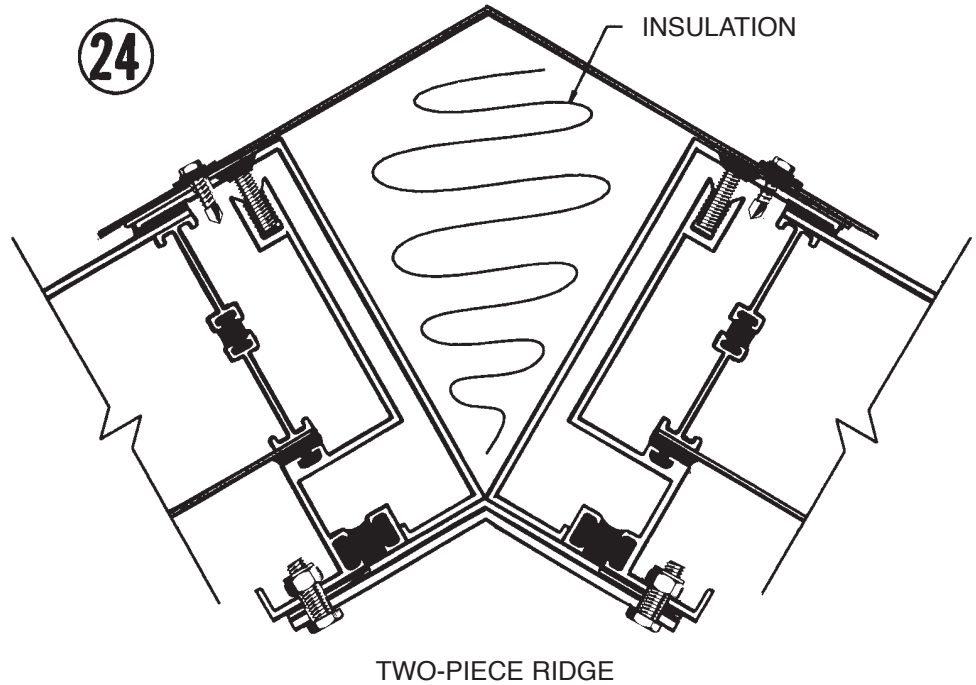
MAJOR INDUSTRIES, INC.

P.O. Box 306
Wausau, Wisconsin 54402-0306
Phone: (715) 842-4616
Fax: (715) 848-3336
Toll Free: (888) SkyCost (888-759-2678)
<http://www.majorskylights.com>
e-mail: info@majorskylights.com

**RIDGE
DETAILS**



SINGLE-PIECE RIDGE



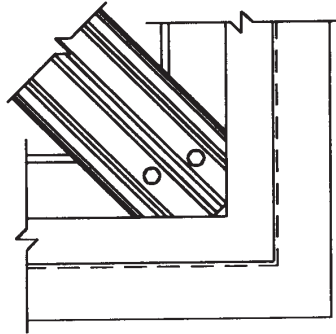
TWO-PIECE RIDGE

SCALE 1/2" = 1"



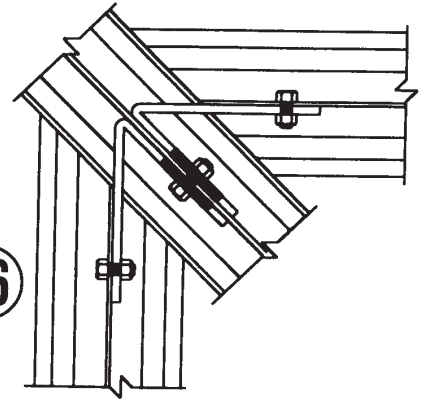
MAJOR INDUSTRIES, INC.

P.O. Box 306
 Wausau, Wisconsin 54402-0306
 Phone: (715) 842-4616
 Fax: (715) 848-3336
 Toll Free: (888) SkyCost (888-759-2678)
<http://www.majorskylights.com>
 e-mail: info@majorskylights.com



25

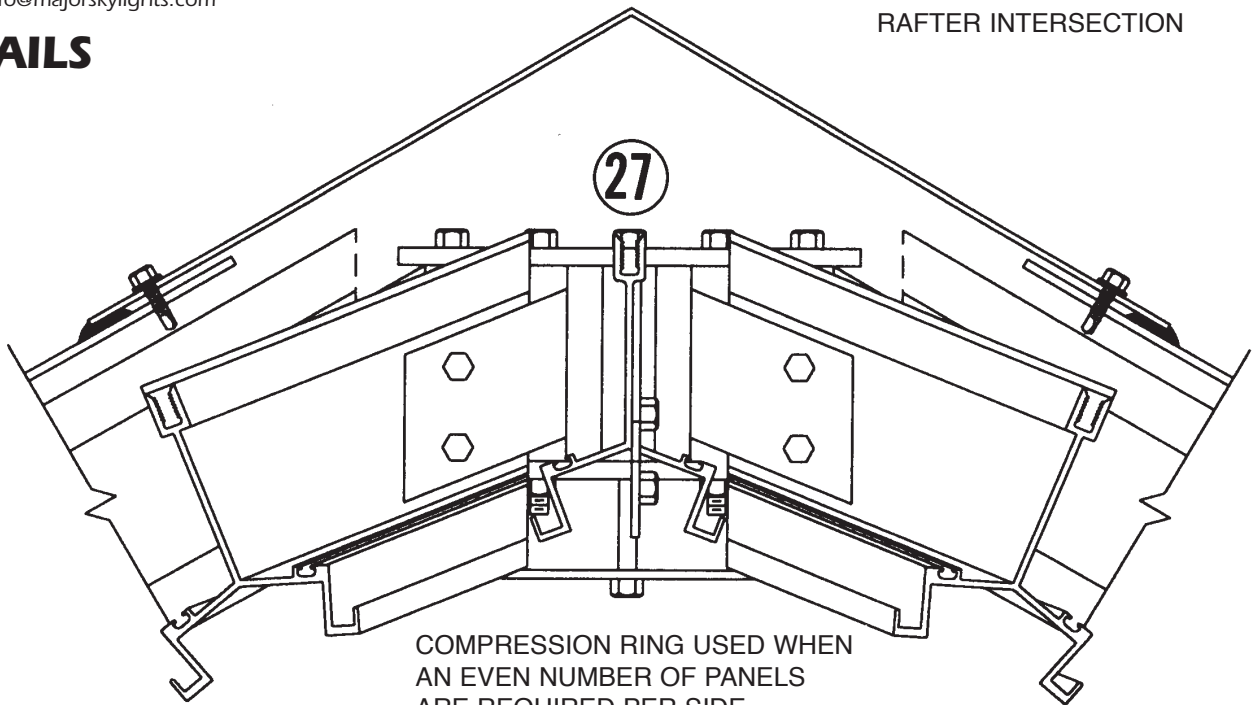
CORNER



26

RAFTER INTERSECTION

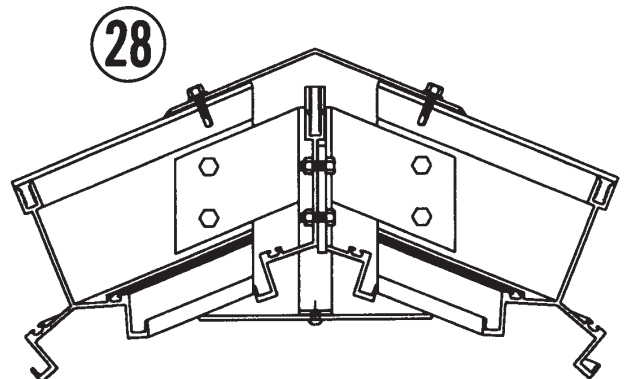
DETAILS



27

COMPRESSION RING USED WHEN AN EVEN NUMBER OF PANELS ARE REQUIRED PER SIDE.

NOT TO SCALE



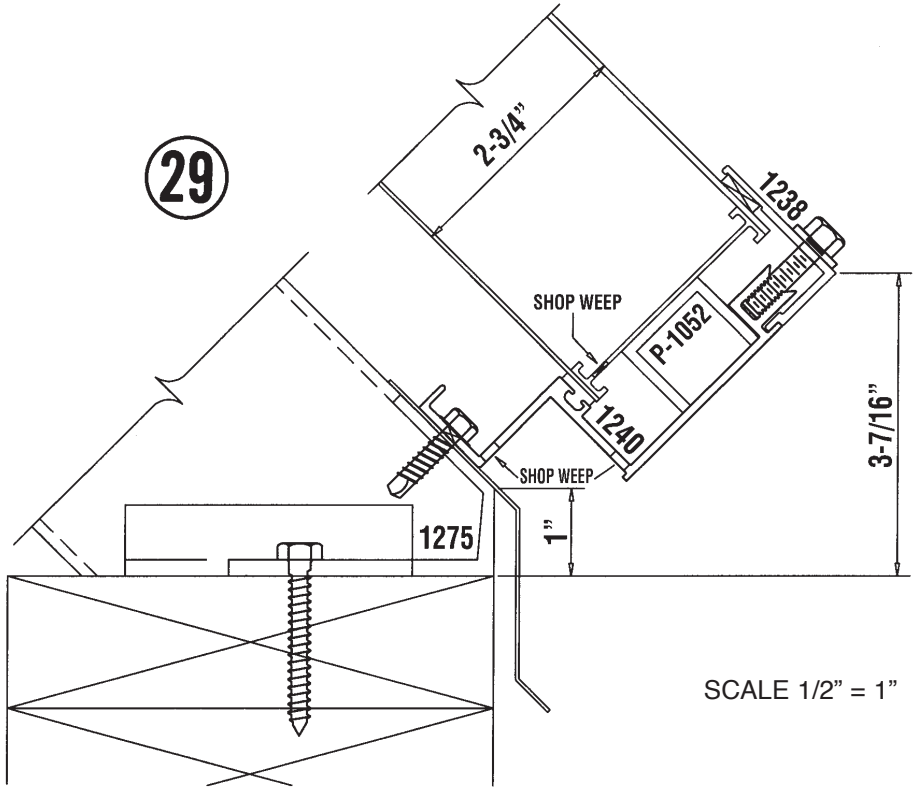
28

COMPRESSION STAR USED WHEN AN ODD NUMBER OF PANELS ARE REQUIRED PER SIDE.

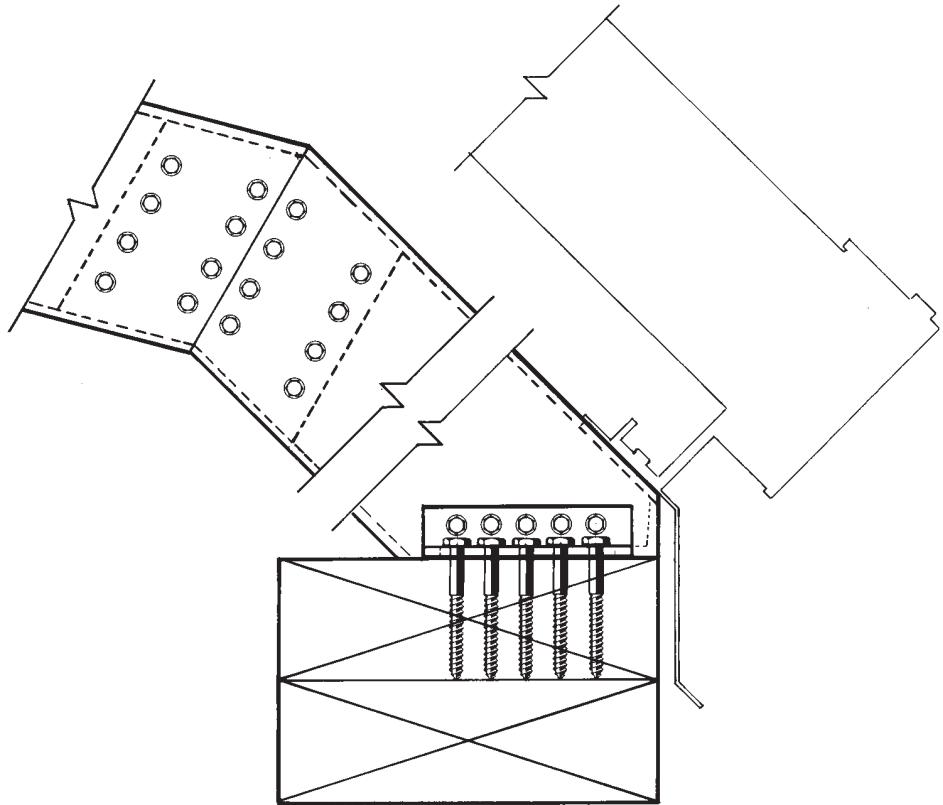


MAJOR INDUSTRIES, INC.
 P.O. Box 306
 Wausau, Wisconsin 54402-0306
 Phone: (715) 842-4616
 Fax: (715) 848-3336
 Toll Free: (888) SkyCost (888-759-2678)
<http://www.majorskylights.com>
 e-mail: info@majorskylights.com

**BARREL VAULT
 SILL**



**BARREL VAULT
 STRUCTURAL
 TUBE TRUSS
 DETAIL**



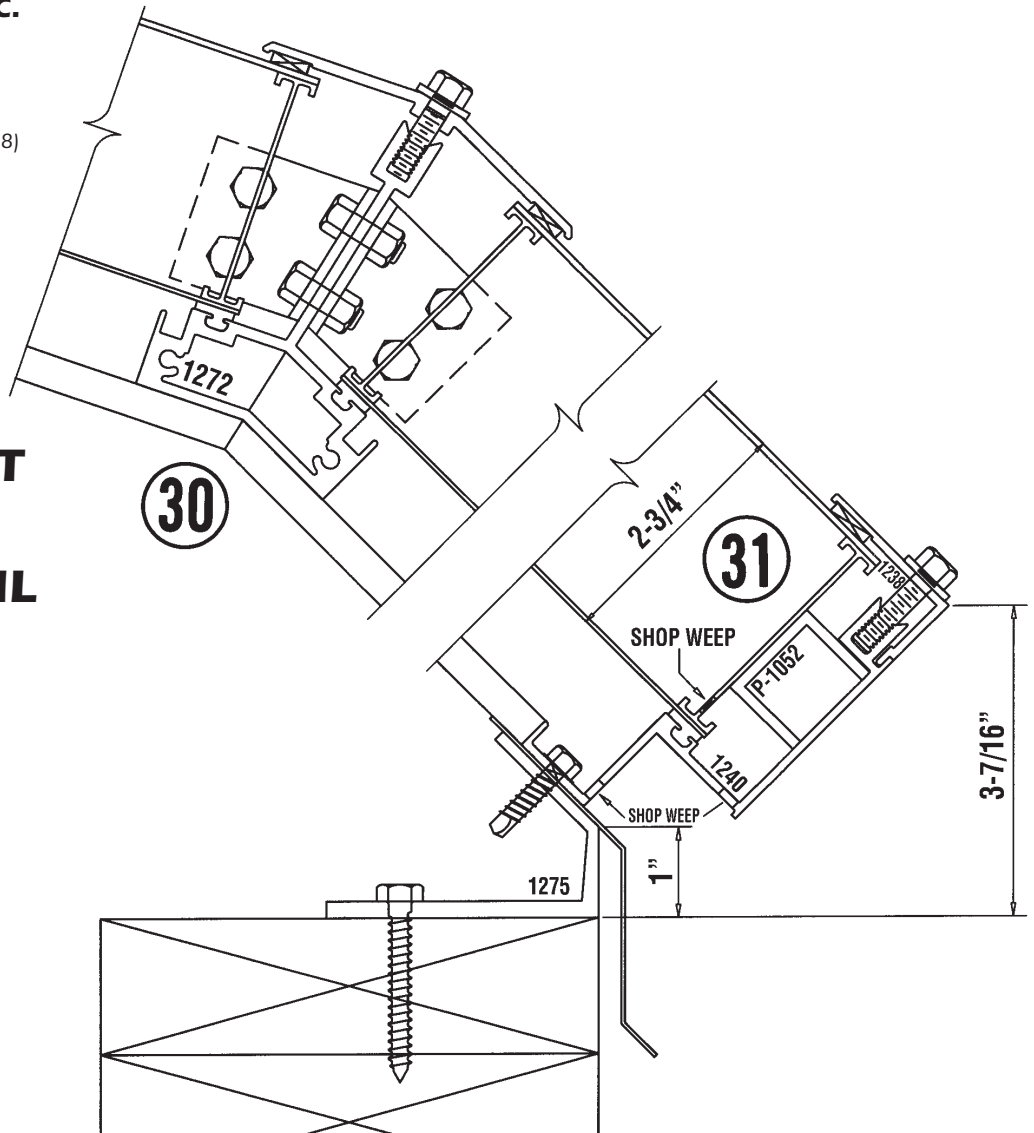
NOT TO SCALE



MAJOR INDUSTRIES, INC.

P.O. Box 306
Wausau, Wisconsin 54402-0306
Phone: (715) 842-4616
Fax: (715) 848-3336
Toll Free: (888) SkyCost (888-759-2678)
<http://www.majorskylights.com>
e-mail: info@majorskylights.com

**BARREL VAULT
PURLIN &
RAFTER DETAIL**



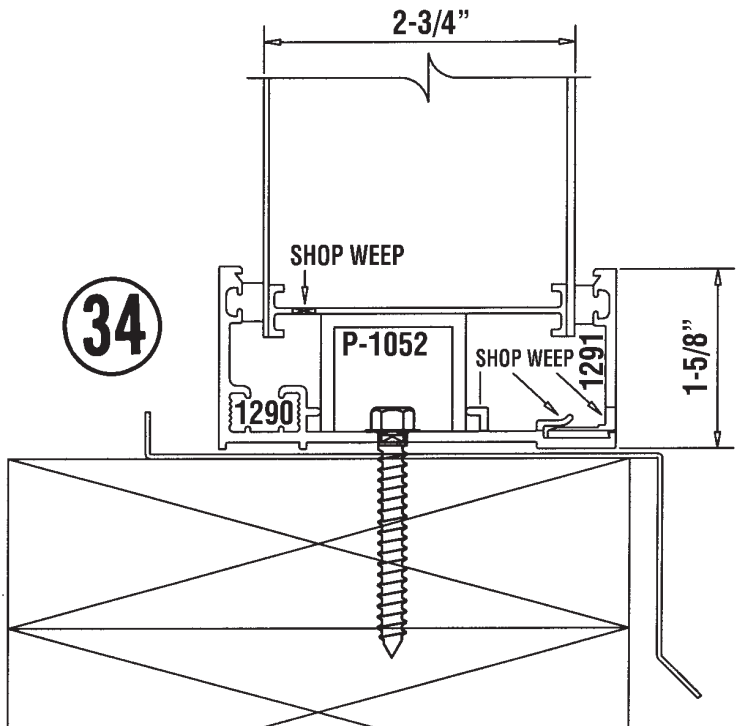
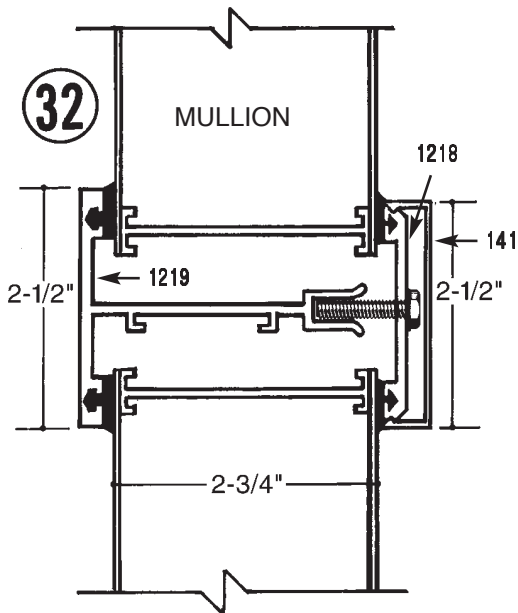
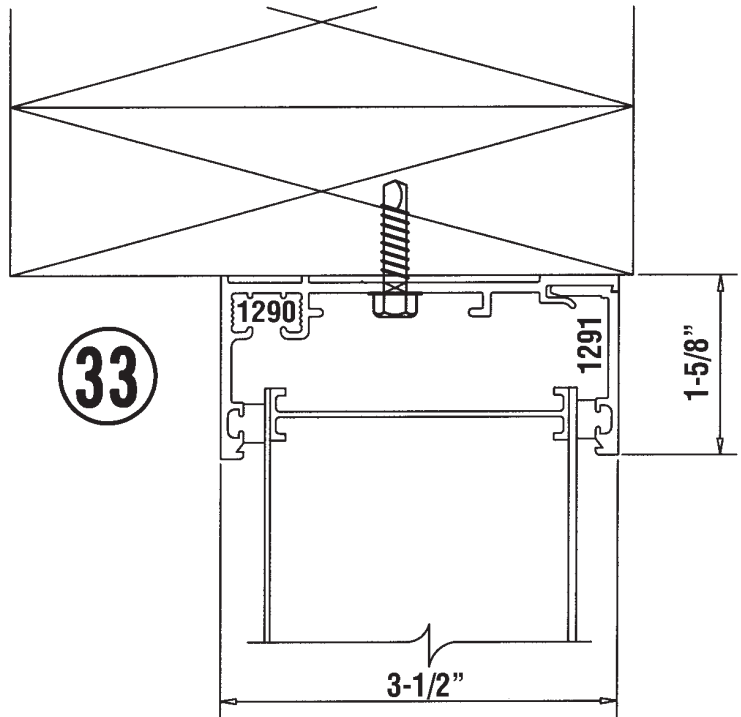
SCALE 1/2" = 1"



MAJOR INDUSTRIES, INC.

P.O. Box 306
 Wausau, Wisconsin 54402-0306
 Phone: (715) 842-4616
 Fax: (715) 848-3336
 Toll Free: (888) SkyCost (888-759-2678)
 http://www.majorskylights.com
 e-mail: info@majorskylights.com

**WALL PANEL
& MULLION**



SCALE 1/2" = 1"