



# SKYLIGHT SYSTEMS & APPROVED MATERIALS

## System Materials

All Guardian 275® translucent skylight systems must be carefully installed to ensure weather-tightness. Skylight system performance will be optimized when the skylight components are assembled and installed properly.

Please review these instructions and approved shop drawings, supplied specifically for this project, before proceeding.

Basic skylight systems consist of some or all of the following:

## Approved Installation Materials

### Sealants

Tremco, G.E., P.T.I.  
Dow-Corning

### Shims

Pressure treated wood  
Metal  
Plastic

### Cleaning Solutions

Mild soap, non-corrosive,  
non-abrasive  
**NO** Ammonia  
**NO** Chlorine

**Note:** Be sure that the caulking materials used are for the purpose intended. Most silicones are not good perimeter sealants to masonry. Make sure the right products are used.

## HARDWARE



Hex Hd SS SMS



FI Hd SS MS



EPDM Sealing Washer



Hex Hd SS Tek Screw



FI Hd SS SMS



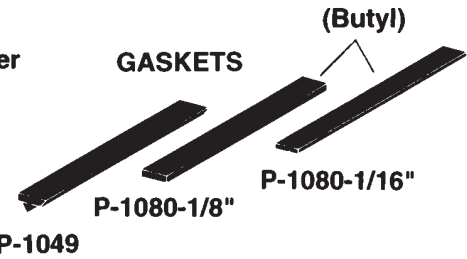
Hex Hd SS MS



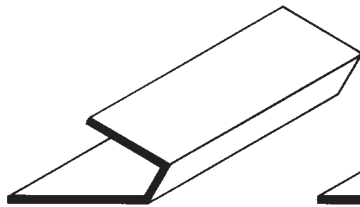
Nyloc Nut



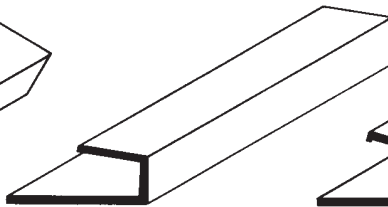
Lag Screw



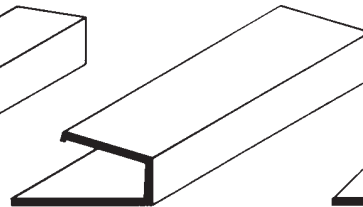
## CURB STARTERS



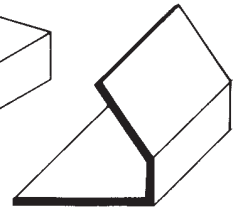
1262



1266

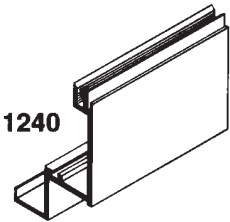


1274

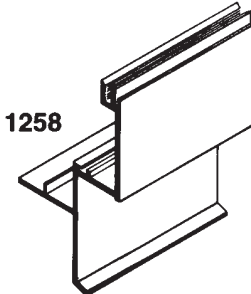


1275

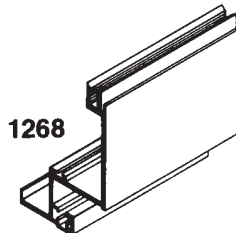
## SKYLIGHT FRAME



1240

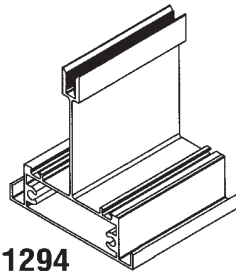


1258

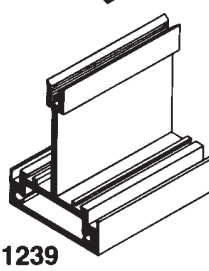


1268

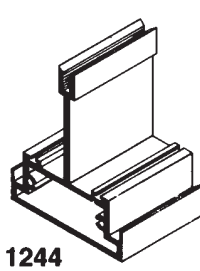
## RAFTERS



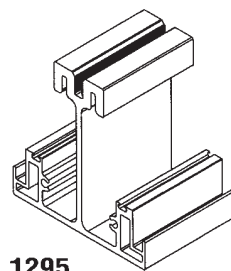
1294



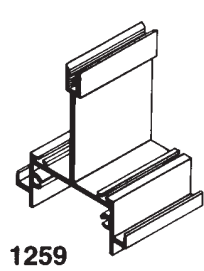
1239



1244

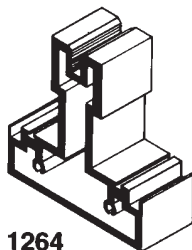


1295

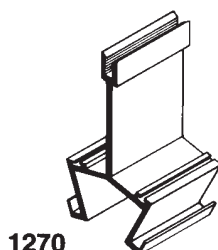


1259

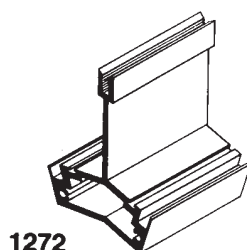
## RAFTERS *continued*



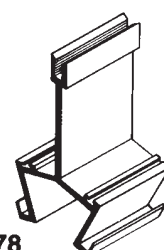
1264



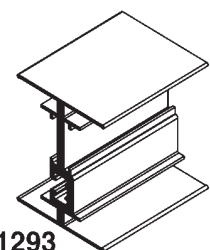
1270



1272



1278

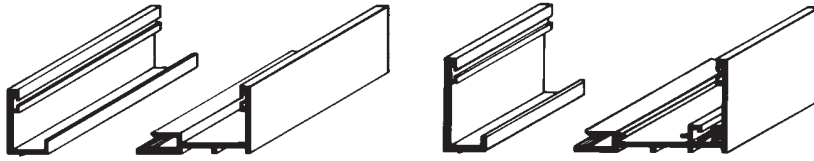


1293



# SKYLIGHT SYSTEMS & APPROVED MATERIALS

## ENDWALLS



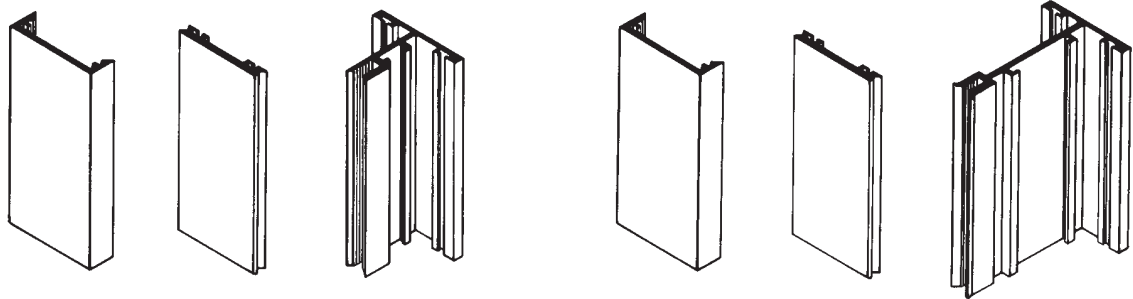
1253-1-1/2"

1252-1-1/2"

1291-2-3/4"

1290-2-3/4"

## MULLION ASSEMBLIES



1249-1-1/2"

1250-1-1/2"

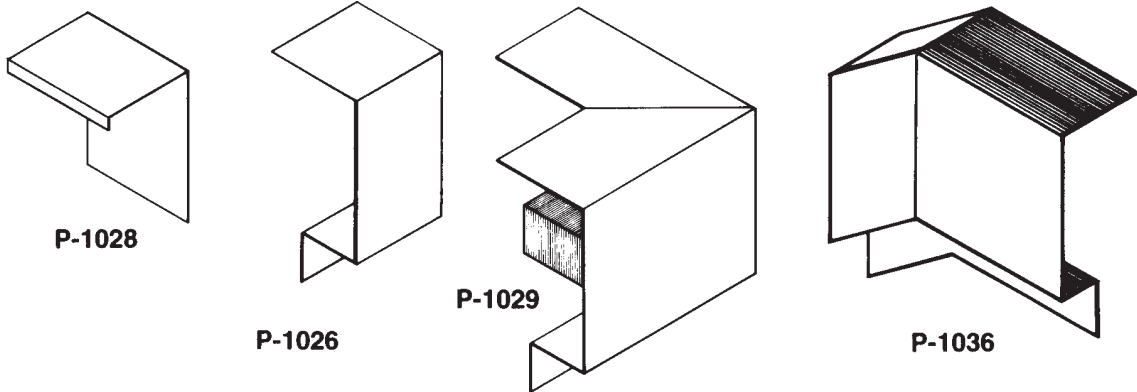
1251-1-1/2"

141-2-3/4"

1218-2-3/4"

1219-2-3/4"

## CAPS, CLOSURES, and COVERS



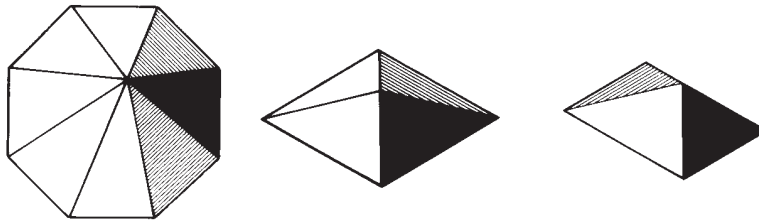
P-1028

P-1026

P-1029

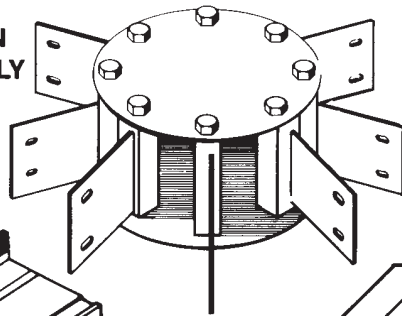
P-1036

## TYPICAL CAPS

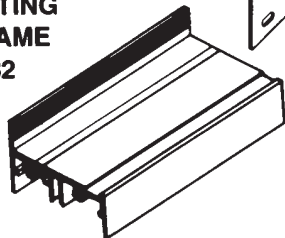


## SPECIALTY COMPONENTS

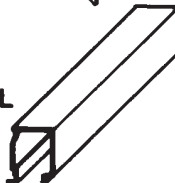
### COMPRESSION RING ASSEMBLY



### MATING FRAME 1282



### TYPICAL BEAD 578



## TOOLS REQUIRED

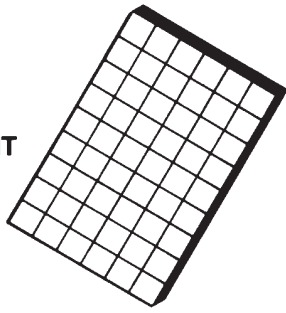
Safety Glasses  
Tape Measure  
Framing Square  
Level  
Hammer  
Rubber Mallet  
Chalk Line  
Hacksaw  
Circular Saw  
Drill & Drill Bits  
Center Punch

Caulking Gun  
Phillips Head Screwdriver  
#2 & #3 Phillips Bit  
Regular Head Screwdriver  
Screwgun with Clutch  
Socket Wrench Set  
Hex Head Driver Bits  
Cleaning Supplies  
OSHA Approved Fall Protection

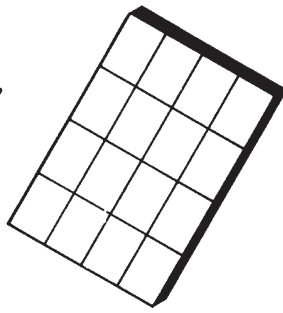


# SKYLIGHT SYSTEMS & APPROVED MATERIALS

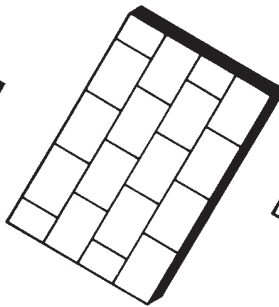
## TRANSLUCENT PANELS



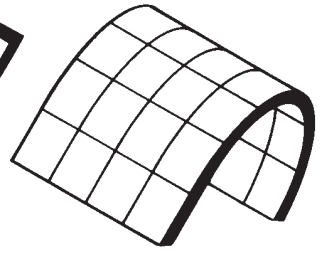
Tuckerman



In-line Shoji

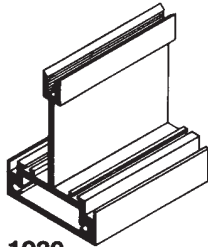


Staggered Shoji

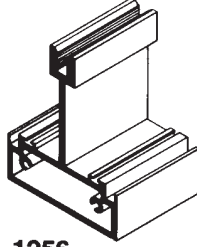


TransCURVE®

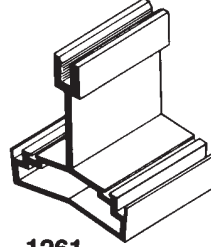
## PURLINS



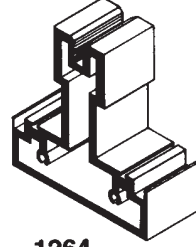
1239



1256

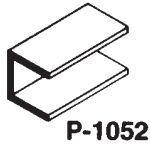


1261



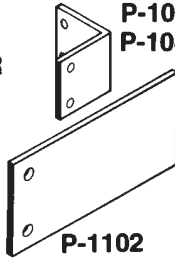
1264

## PLASTIC SETTING BLOCK



P-1052

## CORNER ANGLES FRAME SPLICE



P-1102

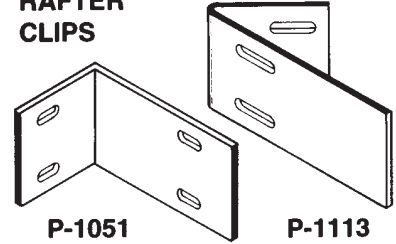
P-1039  
P-1041

## MULLION ANCHOR



P-1017

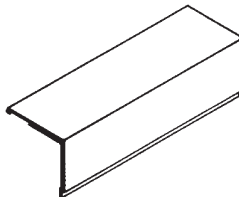
## RAFTER CLIPS



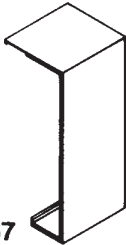
P-1051

P-1113

## SKYLIGHT CAPS

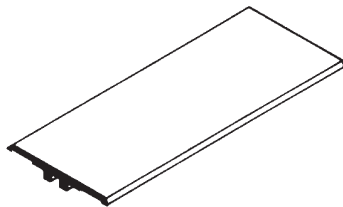


1238

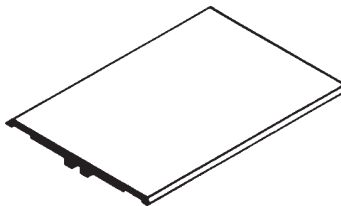


1267

## PURLIN/ RAFTER COVERS

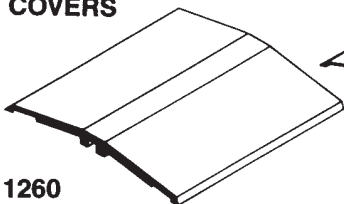


1225

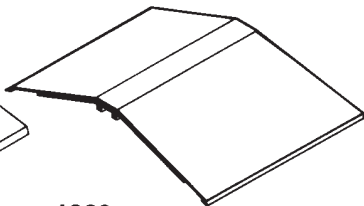


1254

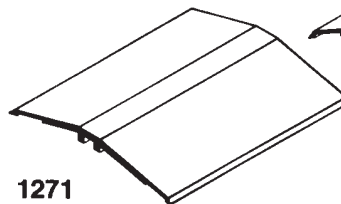
## HIP/RIDGE COVERS



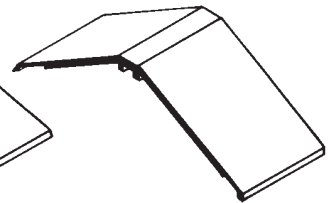
1260



1269



1271

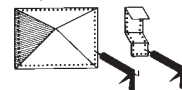
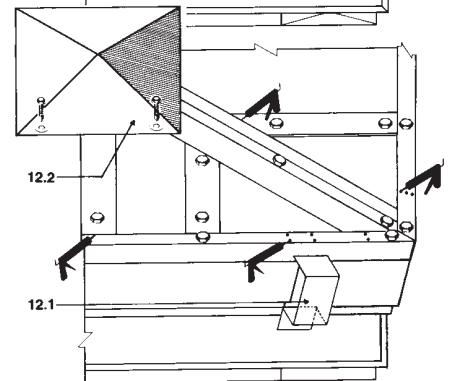
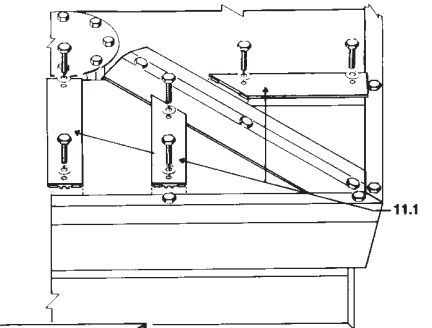
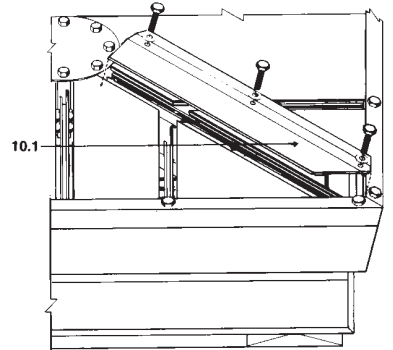
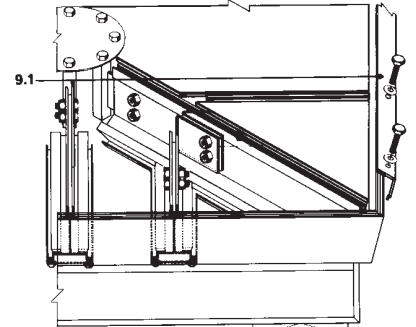
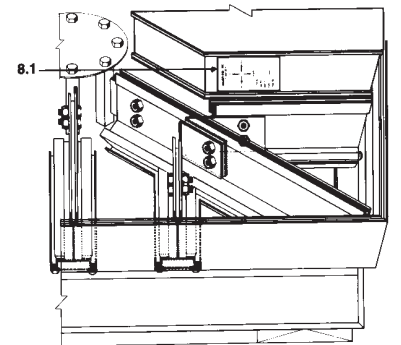
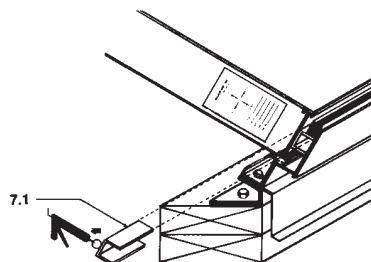
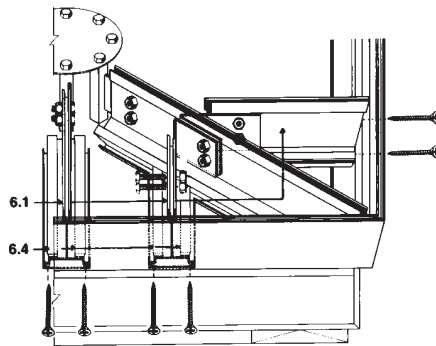
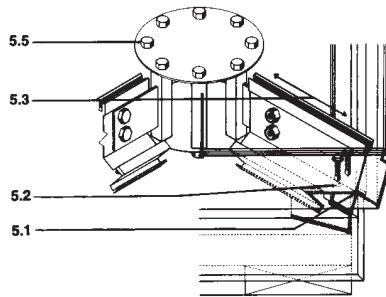
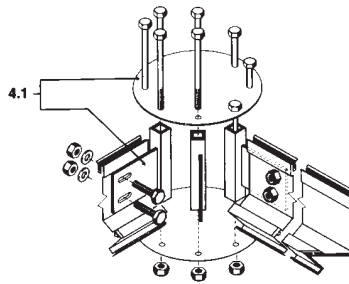
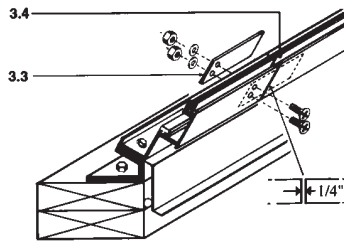
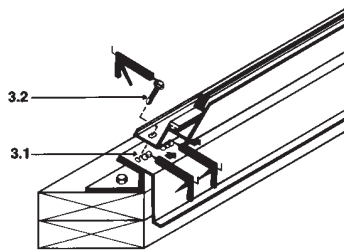
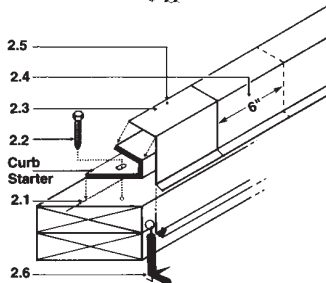
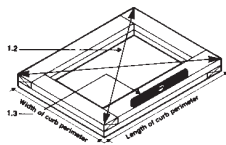
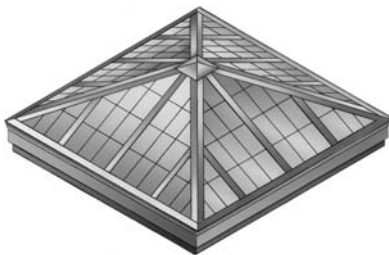


1277



**MAJOR INDUSTRIES, INC.**  
 P.O. Box 306  
 Wausau, Wisconsin 54402-0306  
 Phone: (715) 842-4616  
 Fax: (715) 848-3336  
 Toll Free: (888) SkyCost (888-759-2678)  
<http://www.majorskylights.com>  
 e-mail: [info@majorskylights.com](mailto:info@majorskylights.com)

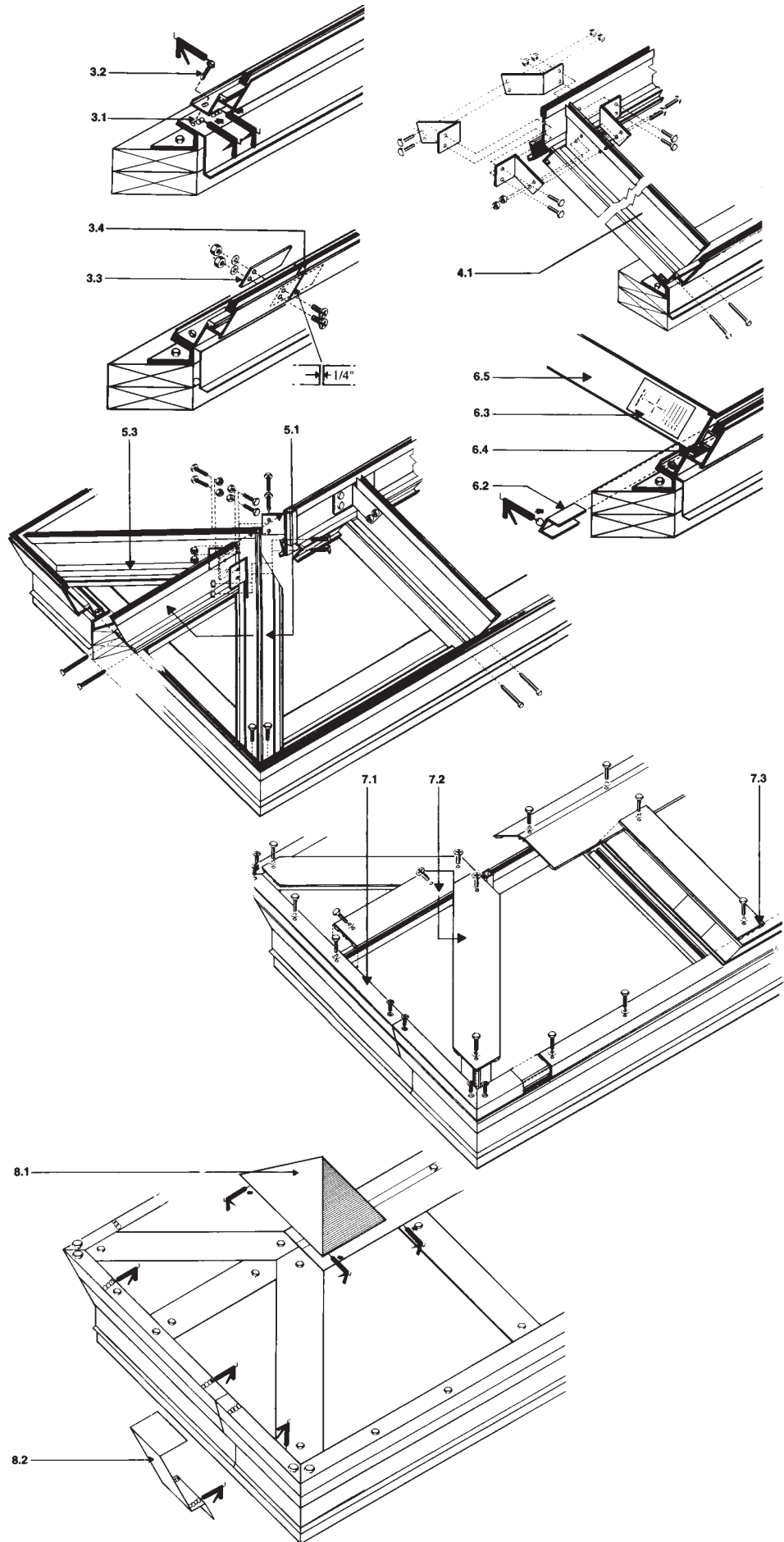
# PYRAMID SEQUENTIAL INSTALLATION DETAILS





**MAJOR INDUSTRIES, INC.**  
 P.O. Box 306  
 Wausau, Wisconsin 54402-0306  
 Phone: (715) 842-4616  
 Fax: (715) 848-3336  
 Toll Free: (888) SkyCost (888-759-2678)  
<http://www.majorskylights.com>  
 e-mail: [info@majorskylights.com](mailto:info@majorskylights.com)

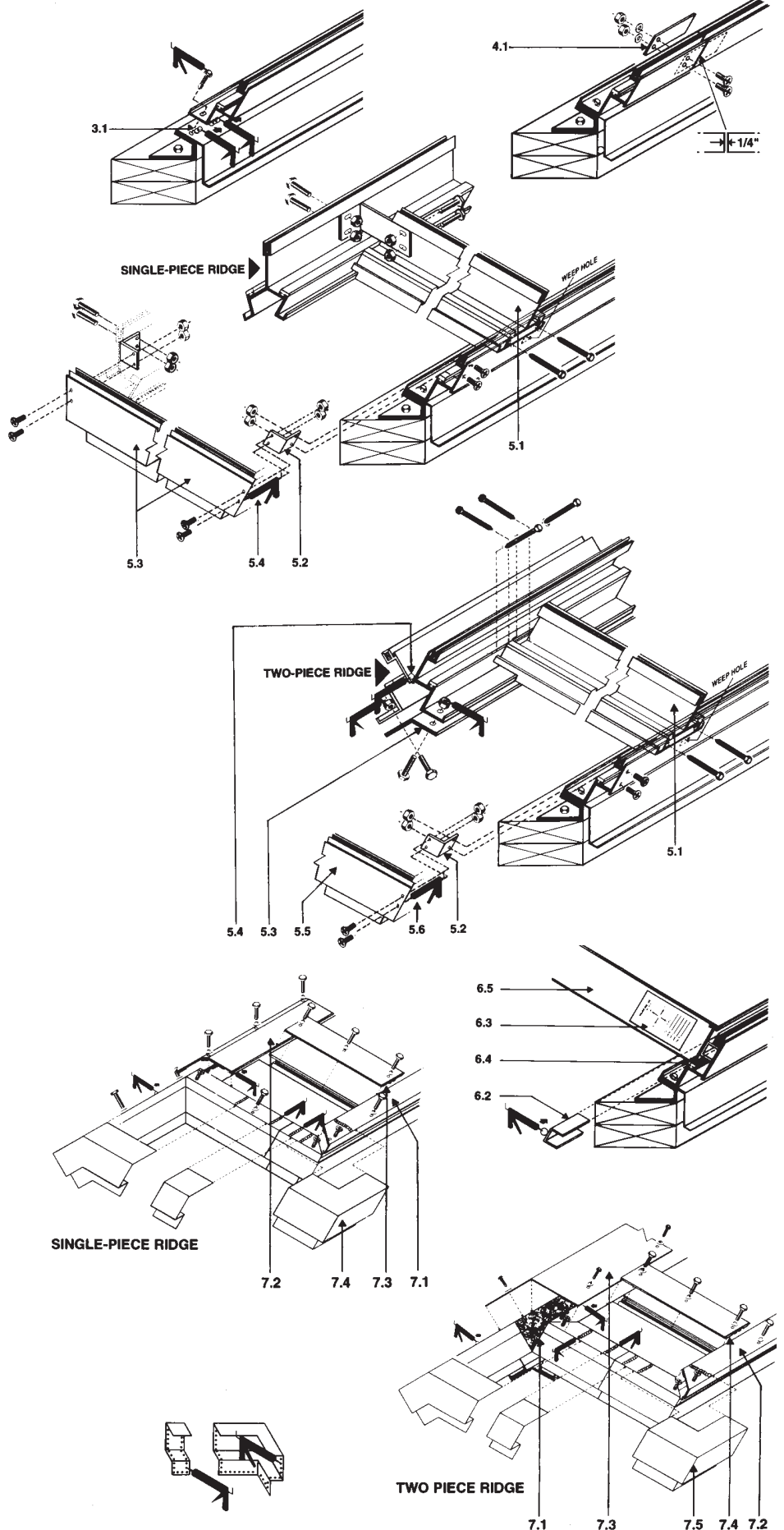
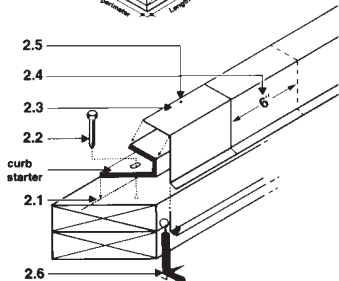
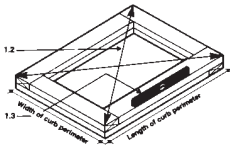
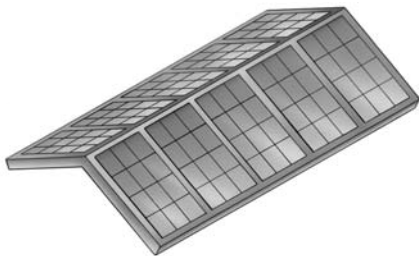
# HIPPED RIDGE SEQUENTIAL INSTALLATION DETAILS





**MAJOR INDUSTRIES, INC.**  
 P.O. Box 306  
 Wausau, Wisconsin 54402-0306  
 Phone: (715) 842-4616  
 Fax: (715) 848-3336  
 Toll Free: (888) SkyCost (888-759-2678)  
<http://www.majorskylights.com>  
 e-mail: [info@majorskylights.com](mailto:info@majorskylights.com)

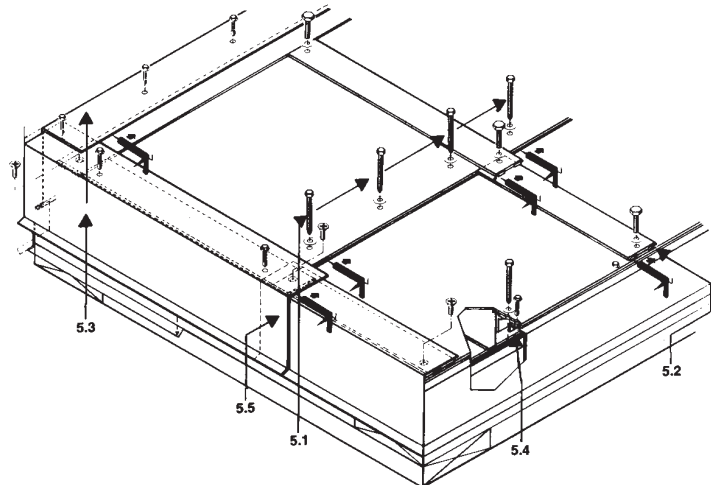
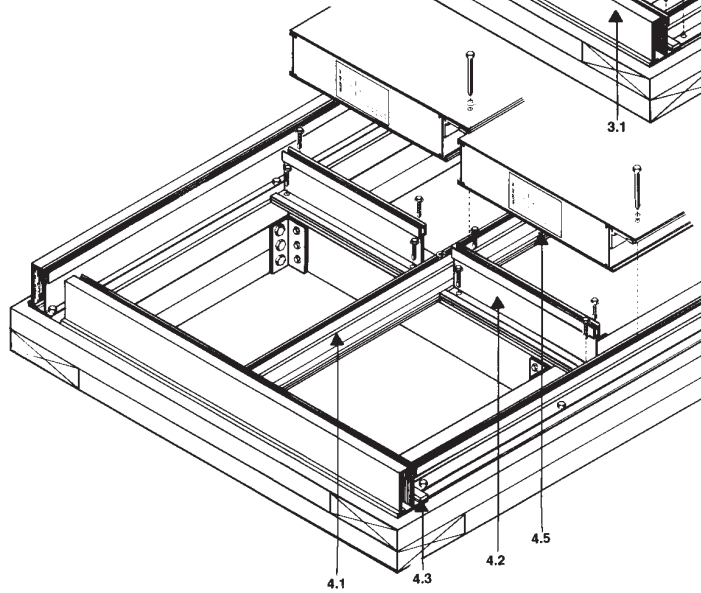
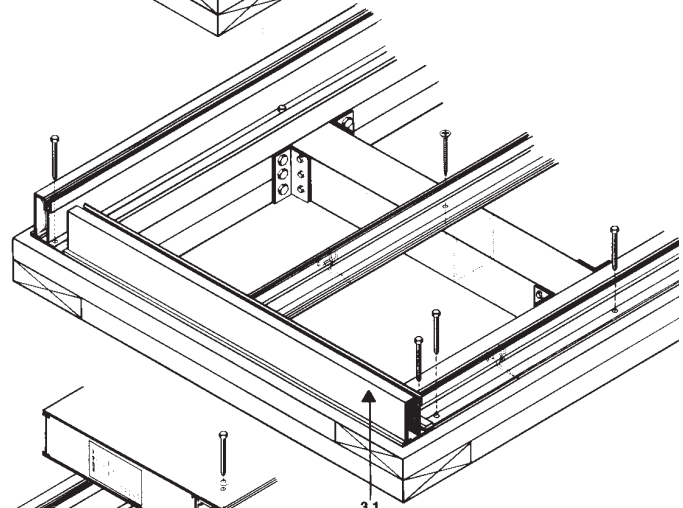
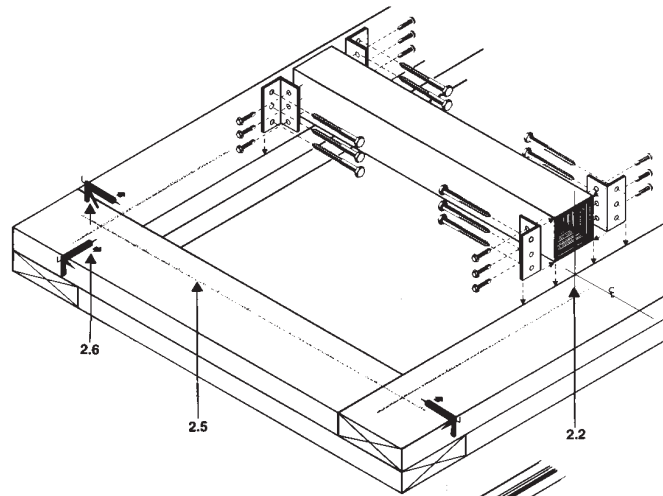
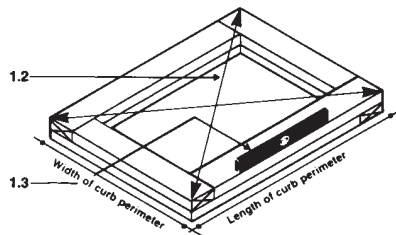
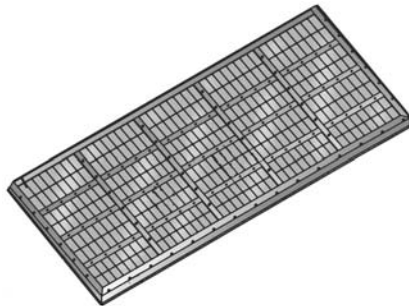
# SINGLE AND 2-PIECE RIDGE SEQUENTIAL INSTALLATION DETAILS





**MAJOR INDUSTRIES, INC.**  
 P.O. Box 306  
 Wausau, Wisconsin 54402-0306  
 Phone: (715) 842-4616  
 Fax: (715) 848-3336  
 Toll Free: (888) SkyCost (888-759-2678)  
<http://www.majorskylights.com>  
 e-mail: info@majorskylights.com

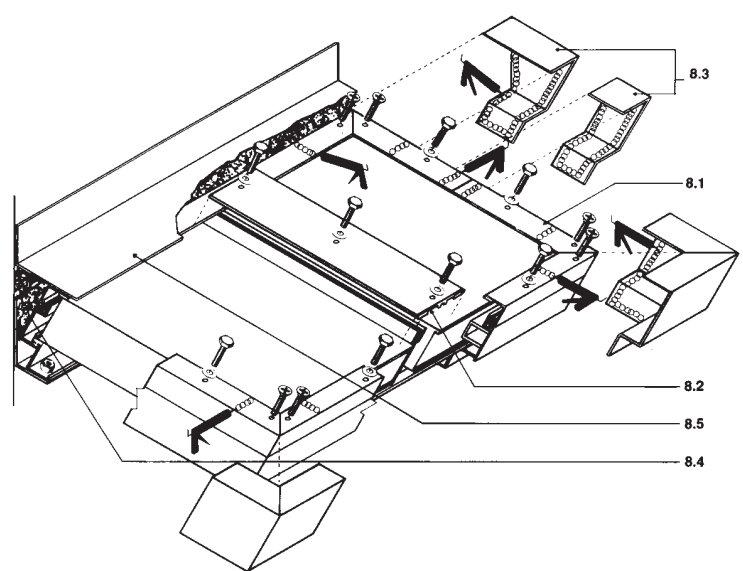
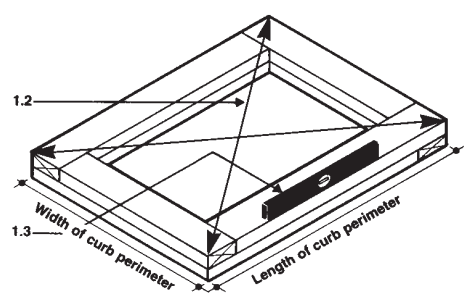
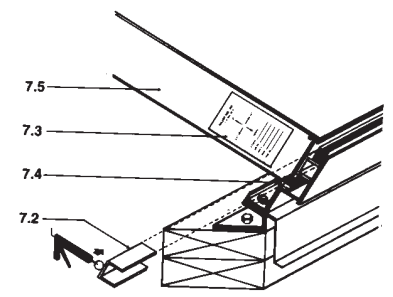
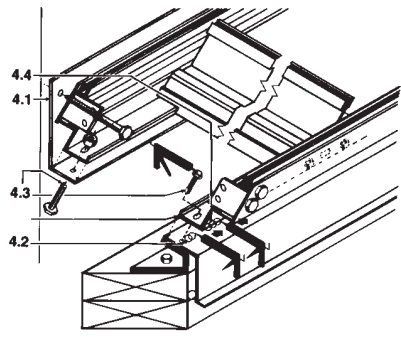
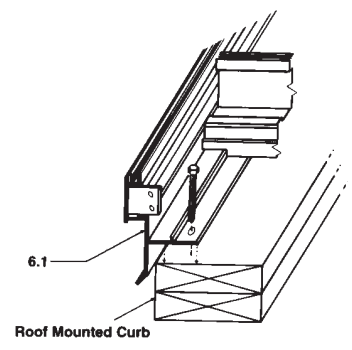
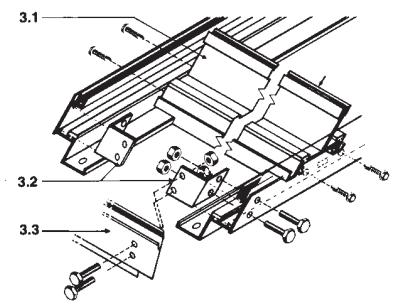
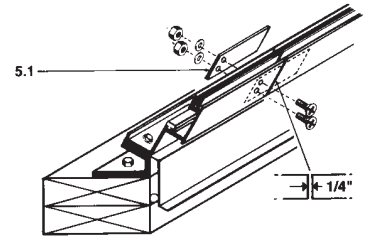
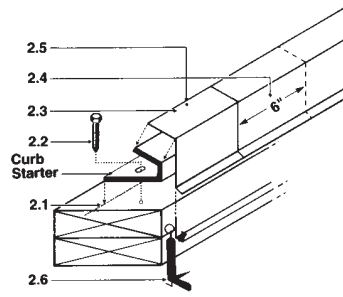
**OVERLAP  
 SYSTEM  
 SEQUENTIAL  
 INSTALLATION  
 DETAILS**





**MAJOR INDUSTRIES, INC.**  
 P.O. Box 306  
 Wausau, Wisconsin 54402-0306  
 Phone: (715) 842-4616  
 Fax: (715) 848-3336  
 Toll Free: (888) SkyCost (888-759-2678)  
<http://www.majorskylights.com>  
 e-mail: [info@majorskylights.com](mailto:info@majorskylights.com)

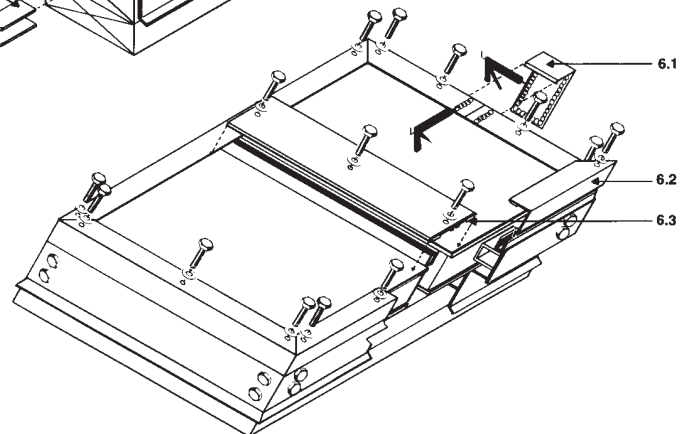
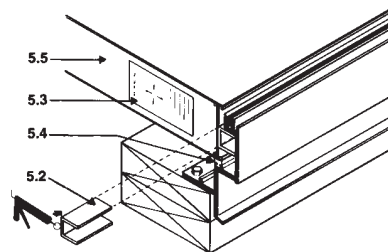
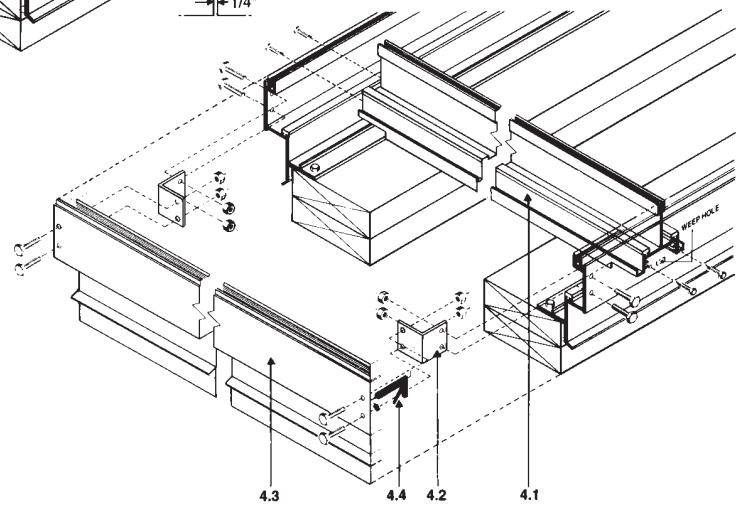
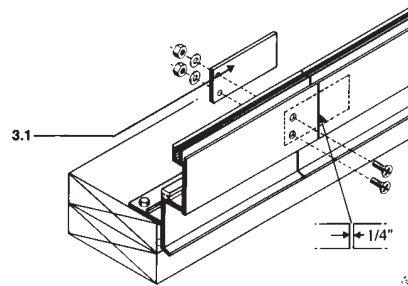
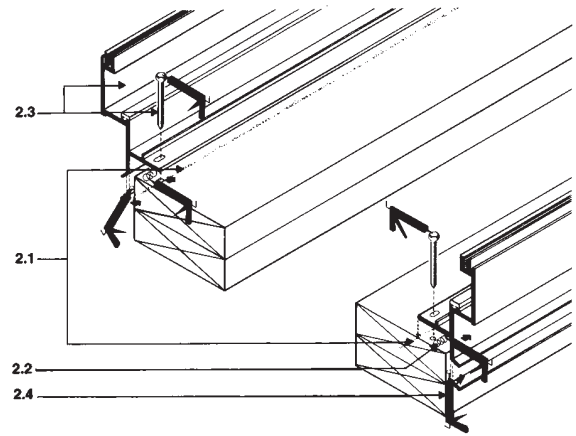
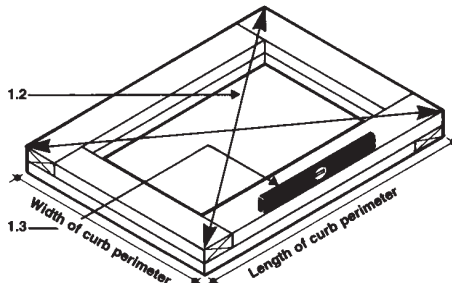
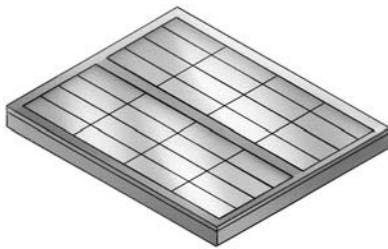
# SINGLE SLOPE SEQUENTIAL INSTALLATION DETAILS





**MAJOR INDUSTRIES, INC.**  
 P.O. Box 306  
 Wausau, Wisconsin 54402-0306  
 Phone: (715) 842-4616  
 Fax: (715) 848-3336  
 Toll Free: (888) SkyCost (888-759-2678)  
 http://www.majorskylights.com  
 e-mail: info@majorskylights.com

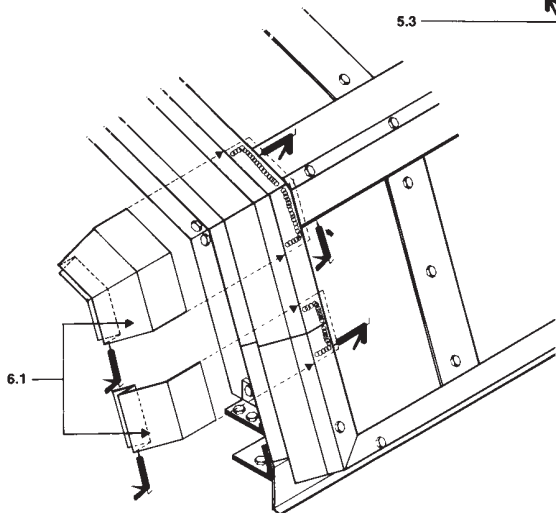
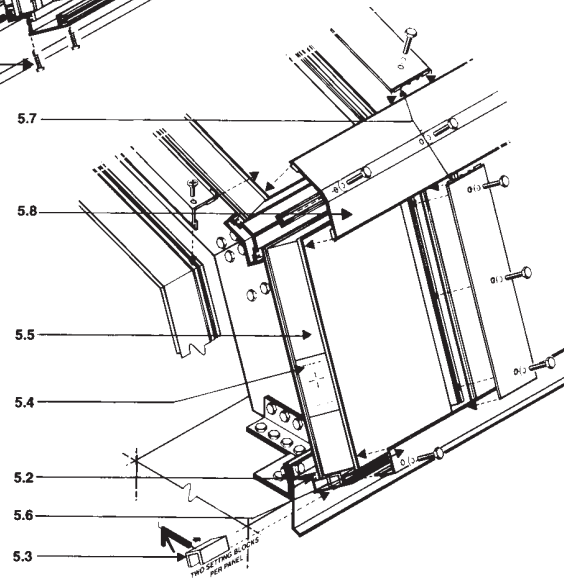
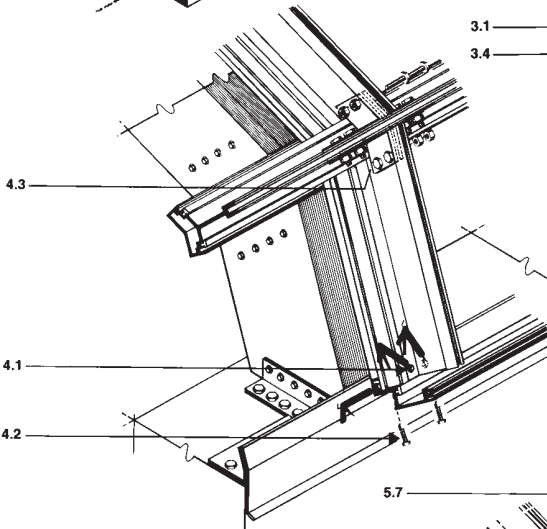
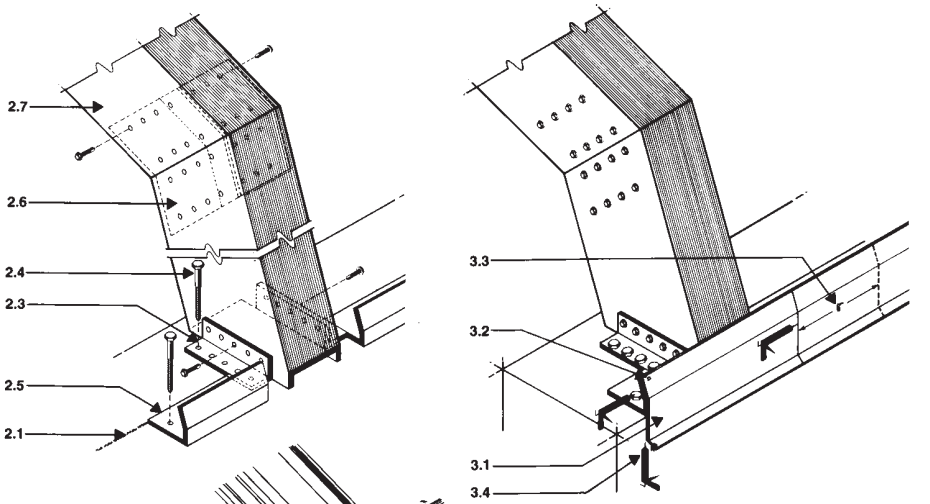
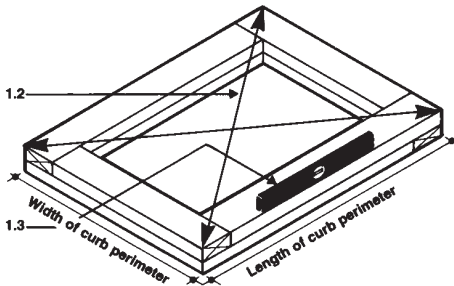
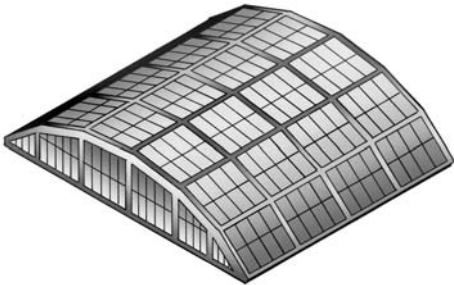
# SELF FLASHING SINGLE SLOPE SEQUENTIAL INSTALLATION DETAILS





**MAJOR INDUSTRIES, INC.**  
 P.O. Box 306  
 Wausau, Wisconsin 54402-0306  
 Phone: (715) 842-4616  
 Fax: (715) 848-3336  
 Toll Free: (888) SkyCost (888-759-2678)  
<http://www.majorskylights.com>  
 e-mail: [info@majorskylights.com](mailto:info@majorskylights.com)

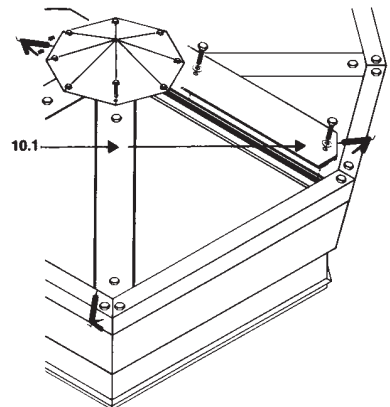
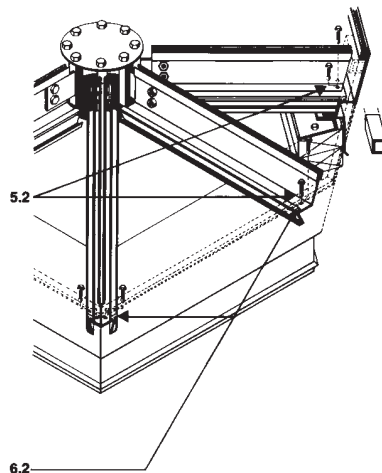
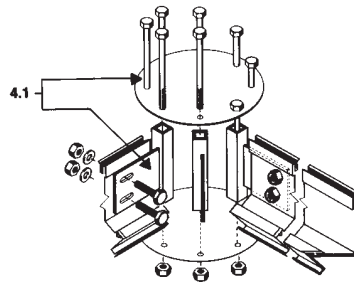
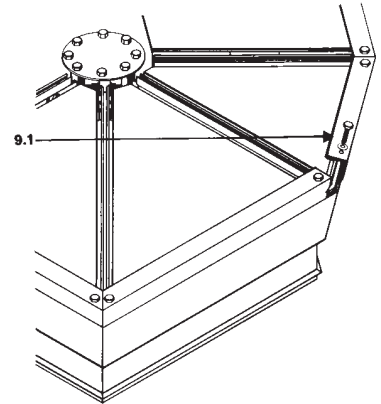
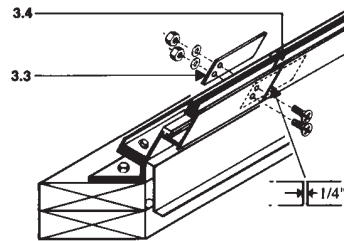
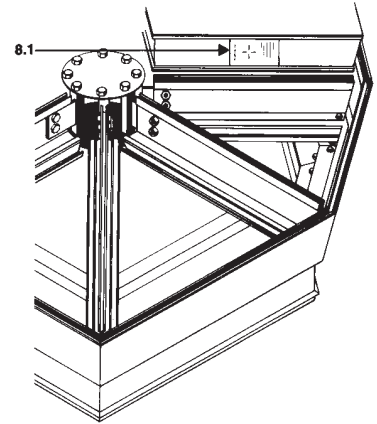
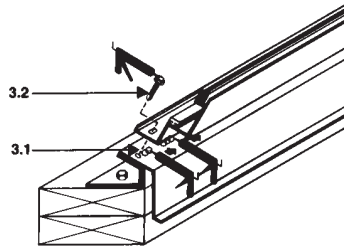
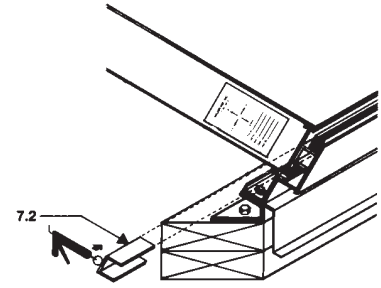
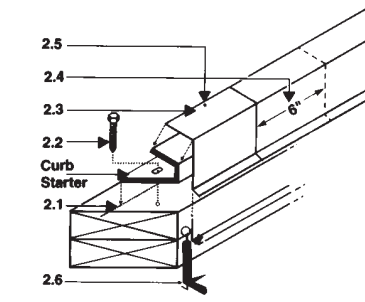
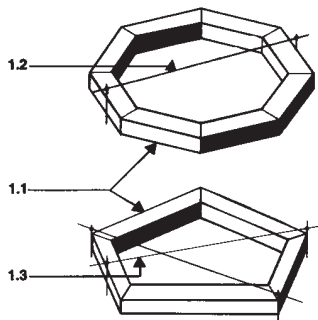
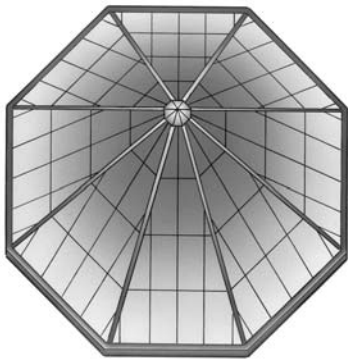
**SEGMENTED  
 BARREL VAULT  
 SEQUENTIAL  
 INSTALLATION  
 DETAILS**





**MAJOR INDUSTRIES, INC.**  
 P.O. Box 306  
 Wausau, Wisconsin 54402-0306  
 Phone: (715) 842-4616  
 Fax: (715) 848-3336  
 Toll Free: (888) SkyCost (888-759-2678)  
<http://www.majorskylights.com>  
 e-mail: [info@majorskylights.com](mailto:info@majorskylights.com)

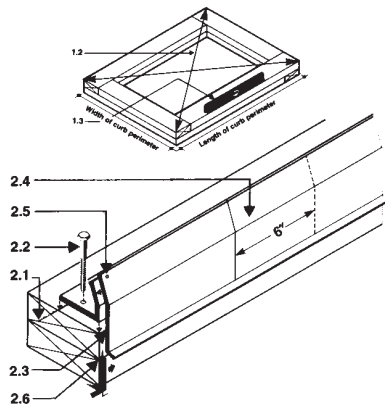
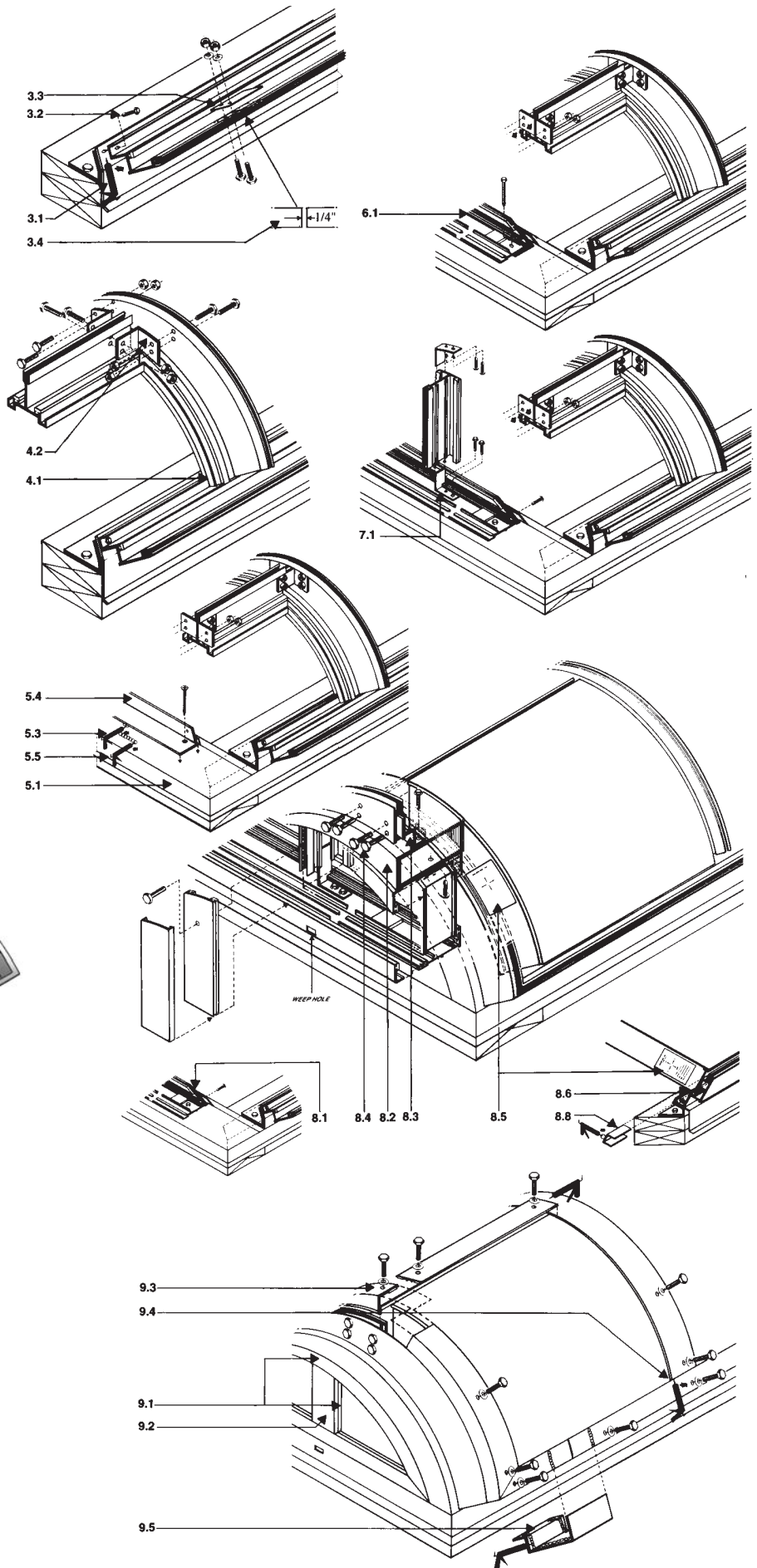
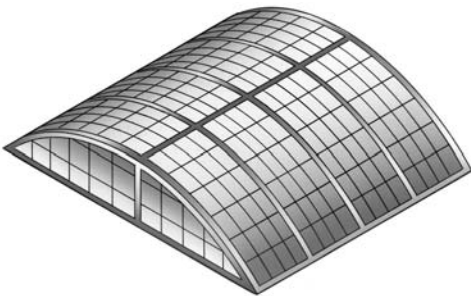
**POLYGON SEQUENTIAL INSTALLATION DETAILS**





**MAJOR INDUSTRIES, INC.**  
 P.O. Box 306  
 Wausau, Wisconsin 54402-0306  
 Phone: (715) 842-4616  
 Fax: (715) 848-3336  
 Toll Free: (888) SkyCost (888-759-2678)  
<http://www.majorskylights.com>  
 e-mail: [info@majorskylights.com](mailto:info@majorskylights.com)

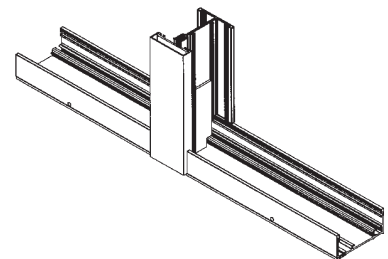
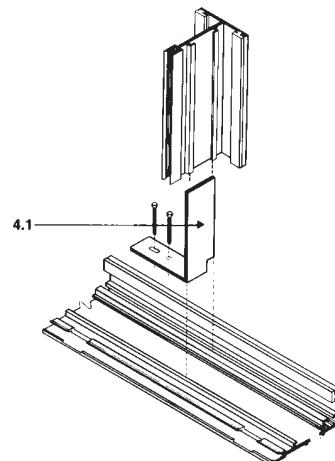
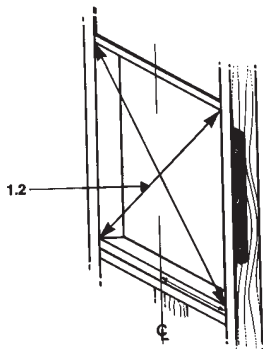
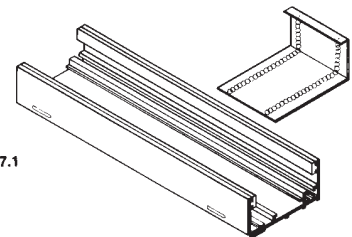
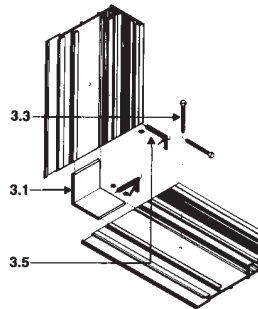
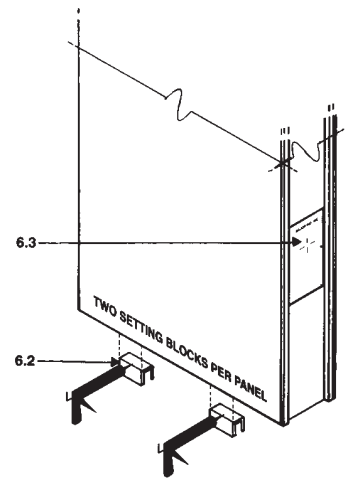
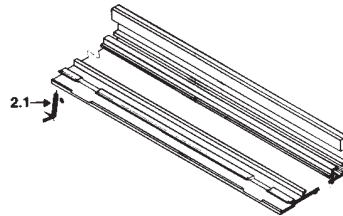
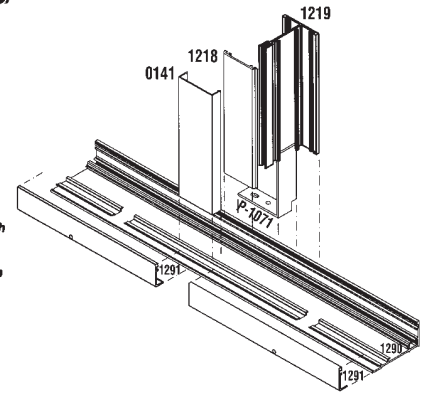
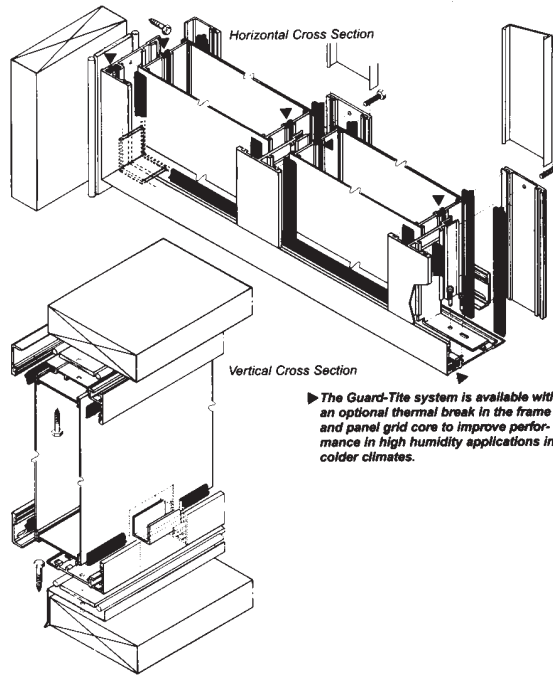
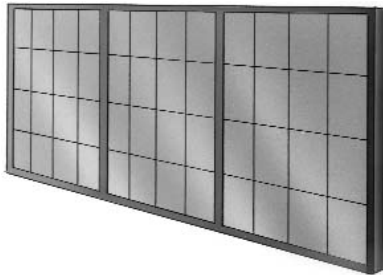
**TransCURVE™  
 SEQUENTIAL  
 INSTALLATION  
 DETAILS**





**MAJOR INDUSTRIES, INC.**  
 P.O. Box 306  
 Wausau, Wisconsin 54402-0306  
 Phone: (715) 842-4616  
 Fax: (715) 848-3336  
 Toll Free: (888) SkyCost (888-759-2678)  
 http://www.majorskylights.com  
 e-mail: info@majorskylights.com

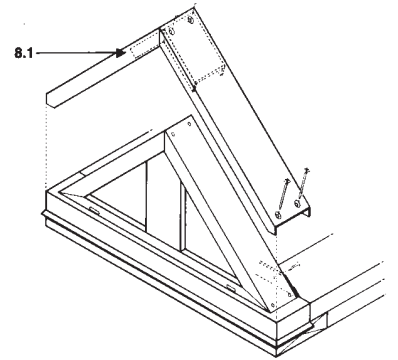
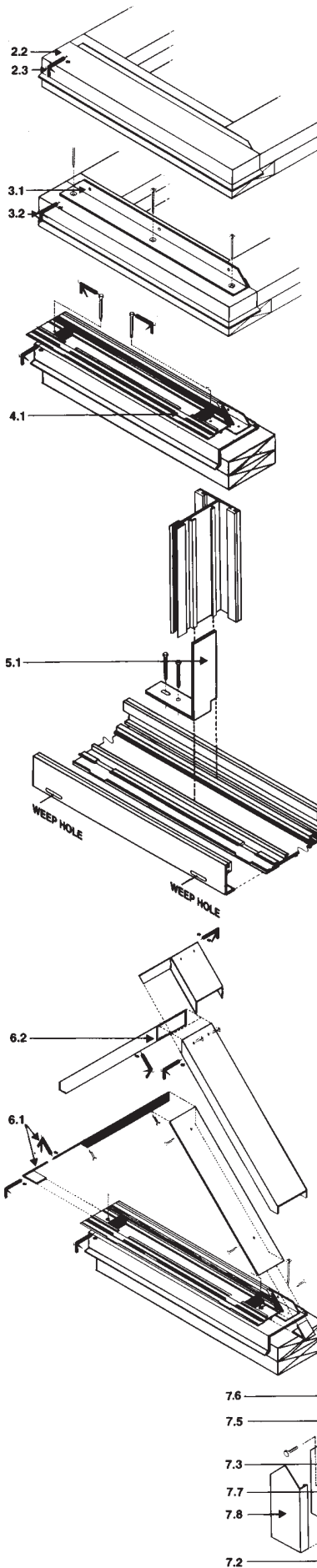
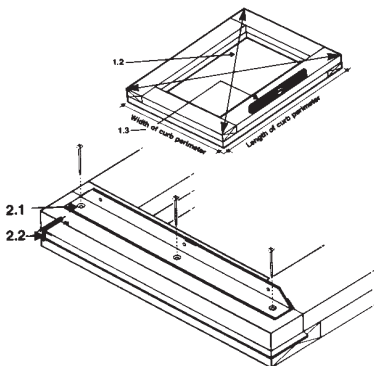
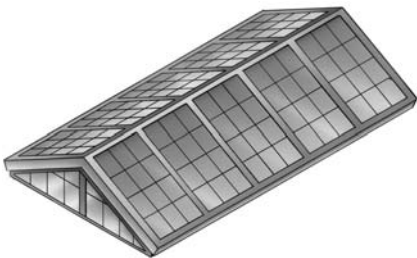
# WALL PANEL SEQUENTIAL INSTALLATION DETAILS





**MAJOR INDUSTRIES, INC.**  
 P.O. Box 306  
 Wausau, Wisconsin 54402-0306  
 Phone: (715) 842-4616  
 Fax: (715) 848-3336  
 Toll Free: (888) SkyCost (888-759-2678)  
<http://www.majorskylights.com>  
 e-mail: [info@majorskylights.com](mailto:info@majorskylights.com)

**END WALL FIELD  
 & FACTORY  
 SEQUENTIAL  
 INSTALLATION  
 DETAILS**



Factory Assembled End Wall: ▼

