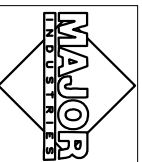
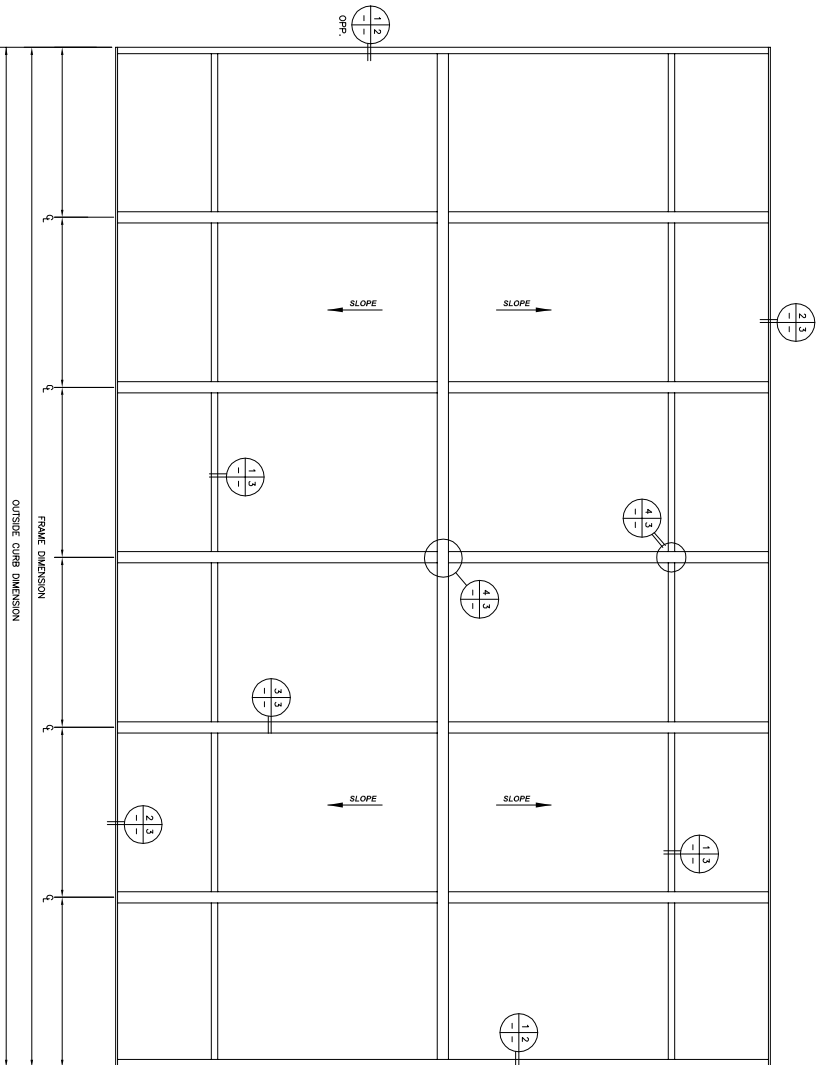
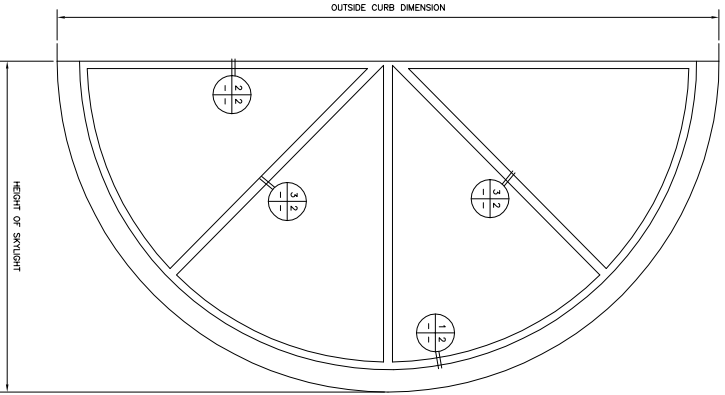




ENDWALLS (2)

PLAN VIEW
NOT TO SCALE

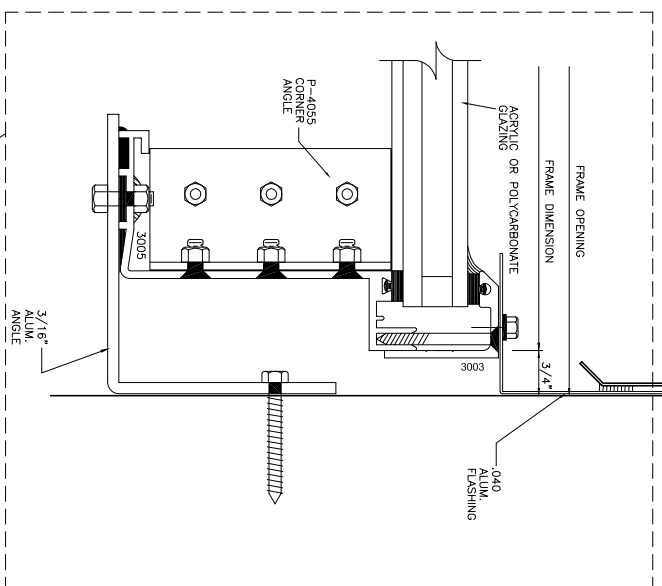
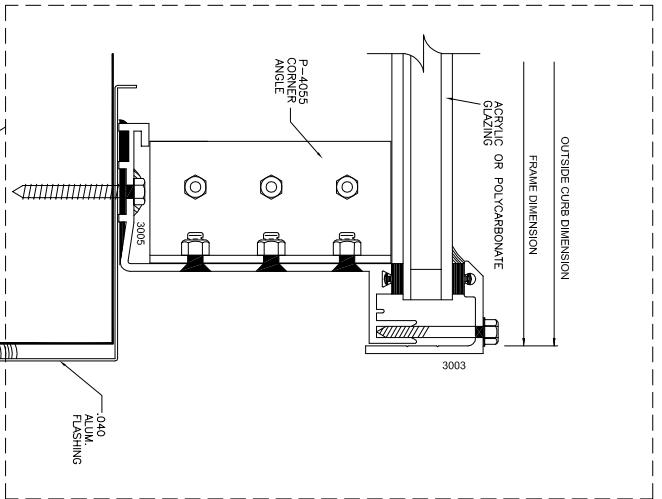
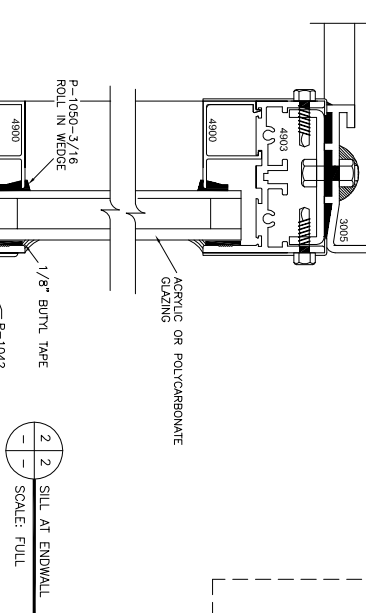
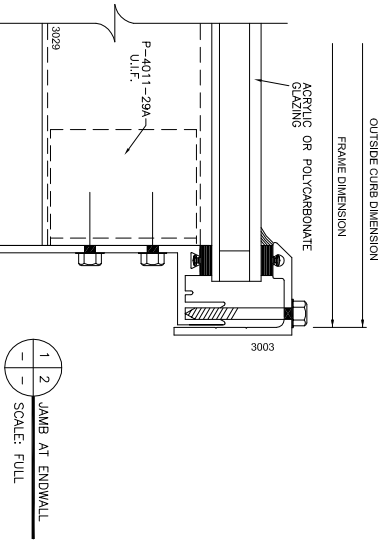


MAJOR INDUSTRIES INC.
 7120 STEWART AVENUE
 WAUSAU, WI 54401
 P.O. BOX 306
 WAUSAU, WI 54402-0306

PHONE (715) 842-4616
 FAX (715) 848-3336

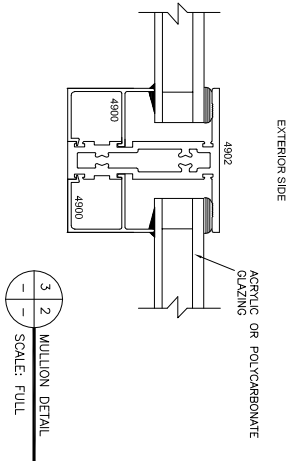
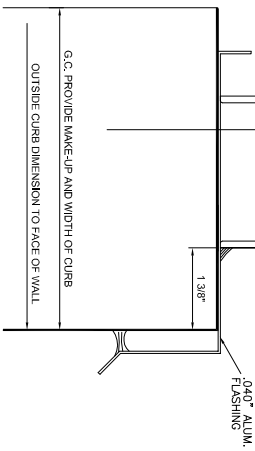
AUBURN®

HALF ROUND SKYLIGHT



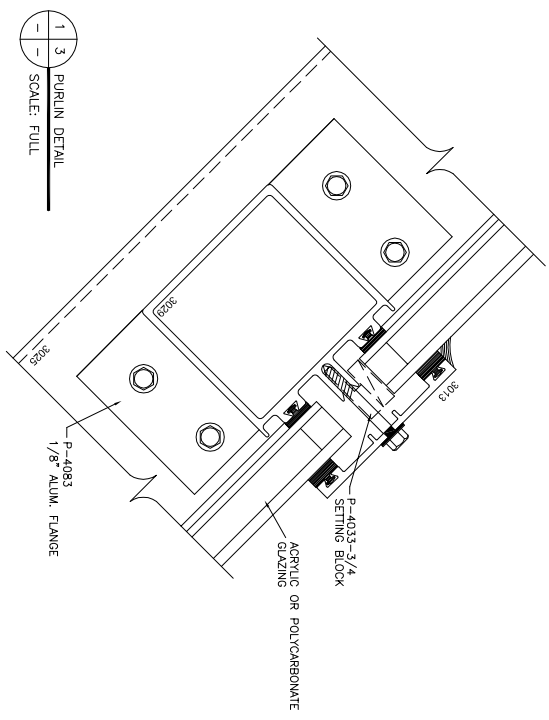
ALTERNATE DETAIL: JAMB AT CURB

ALTERNATE DETAIL: JAMB AT VERTICAL WALL

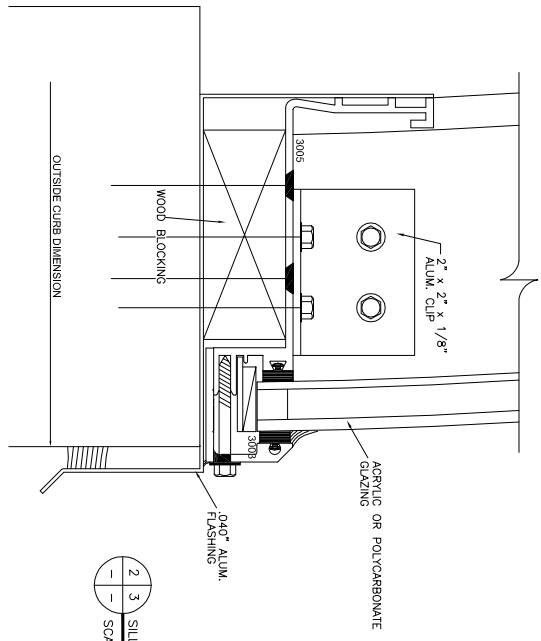


MAJOR INDUSTRIES INC.
 7120 STEWART AVENUE
 P.O. BOX 306
 WAUSAU, WI 54401
 PHONE (715) 842-4816
 FAX (715) 848-3336

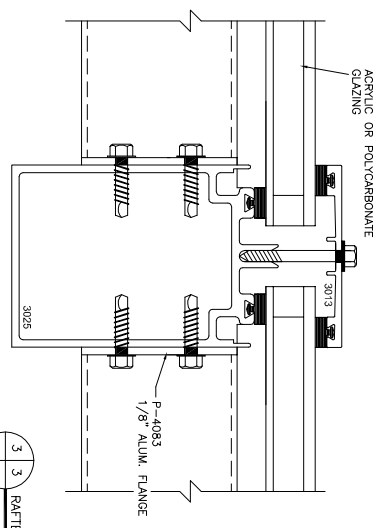
AUBURN®
HALF ROUND SKYLIGHT



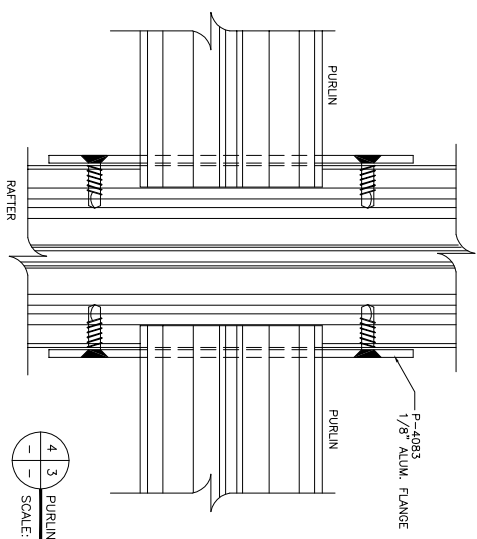
1 3 PURLIN DETAIL
SCALE: FULL



2 3 SILL DETAIL
SCALE: FULL



3 3 RAFTER DETAIL
SCALE: FULL



4 3 PURLIN CONNECTION
SCALE: FULL

MAJOR INDUSTRIES
MAJOR INDUSTRIES INC.
 7120 STEWART AVENUE
 P.O. BOX 306
 WAUSAU, WI 54401
 WAUSAU, WI 54402-0306
 PHONE (715) 842-4816
 FAX (715) 846-3336

AUBURN®
HALF ROUND SKYLIGHT