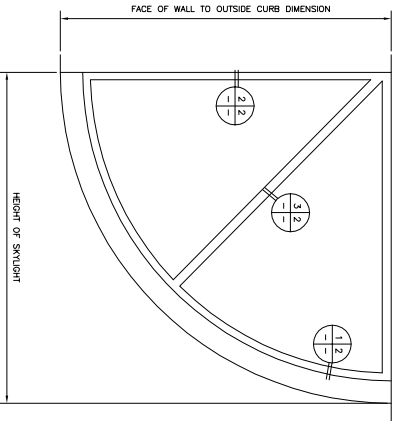
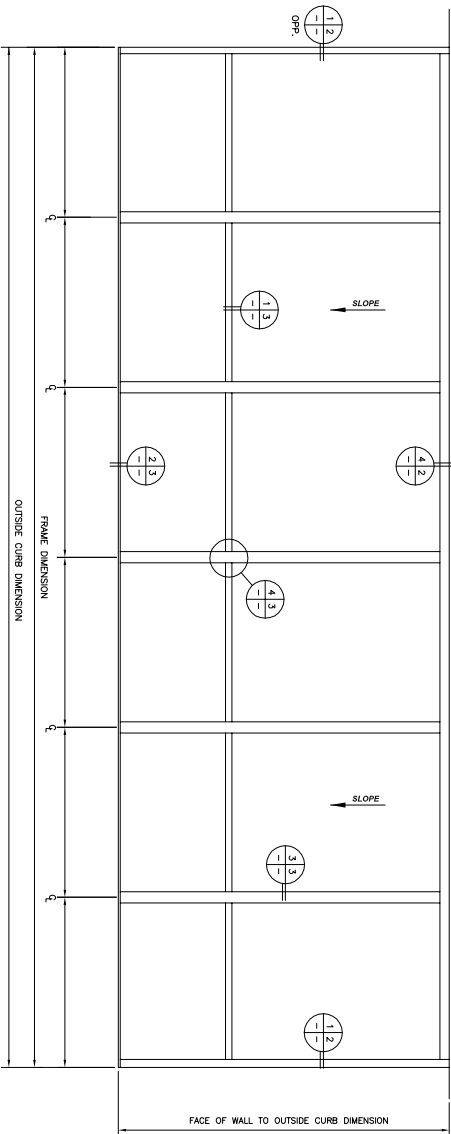


ENDWALLS (2)



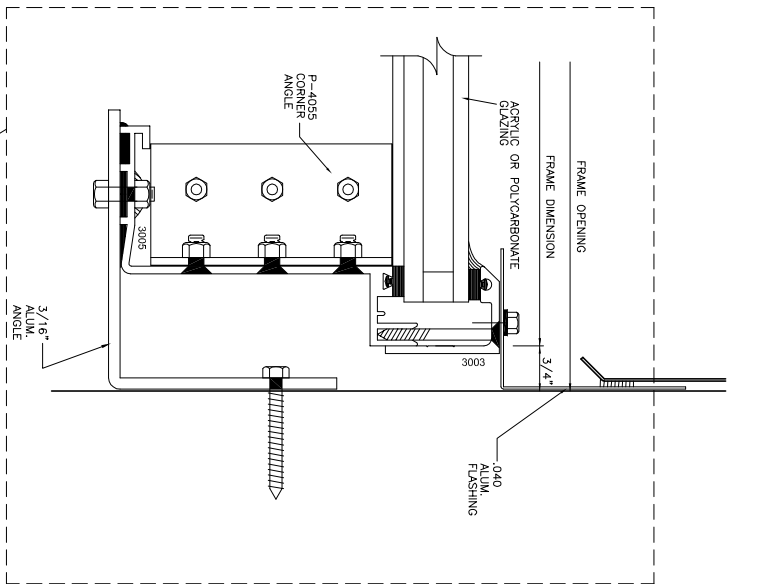
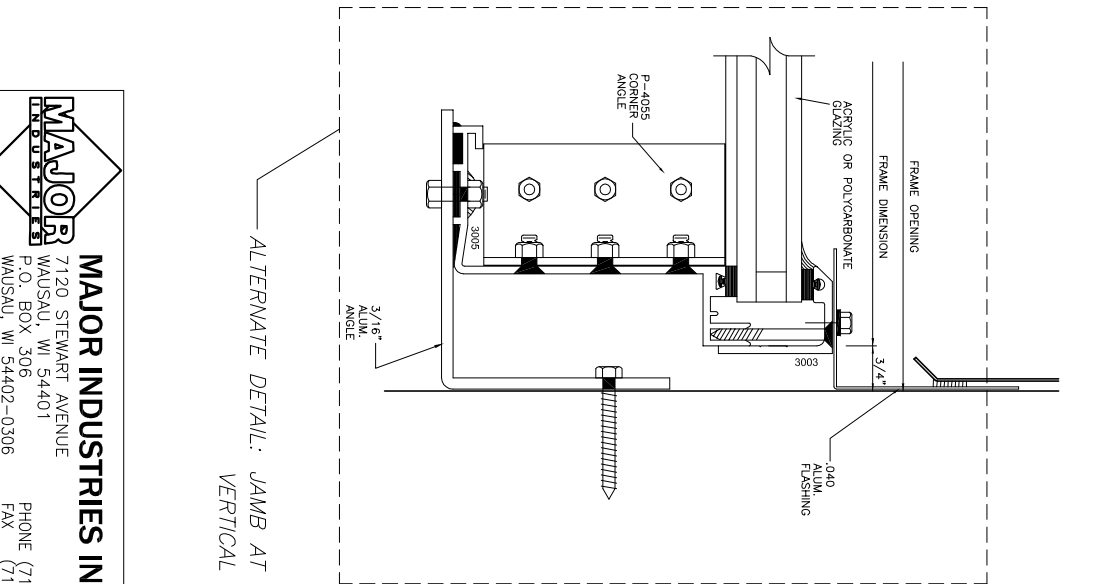
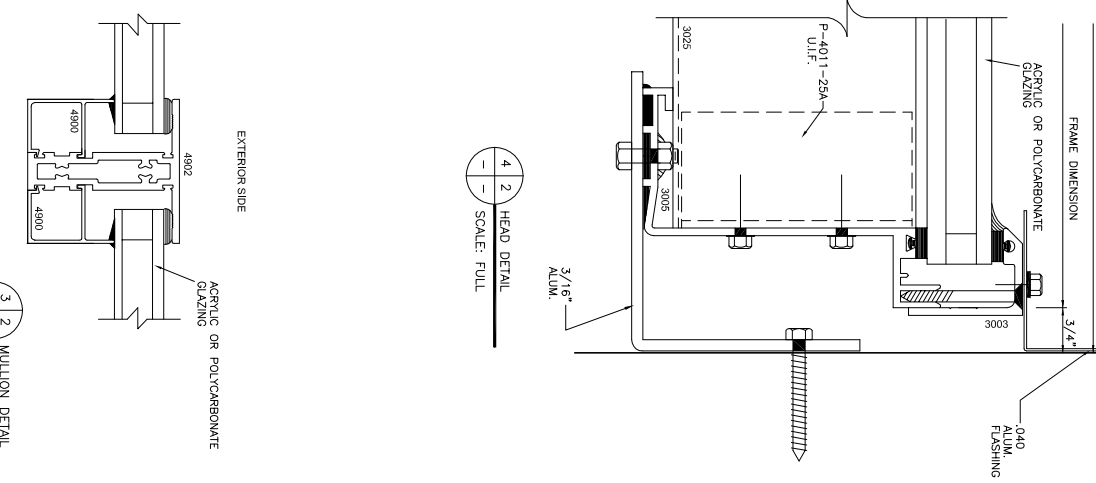
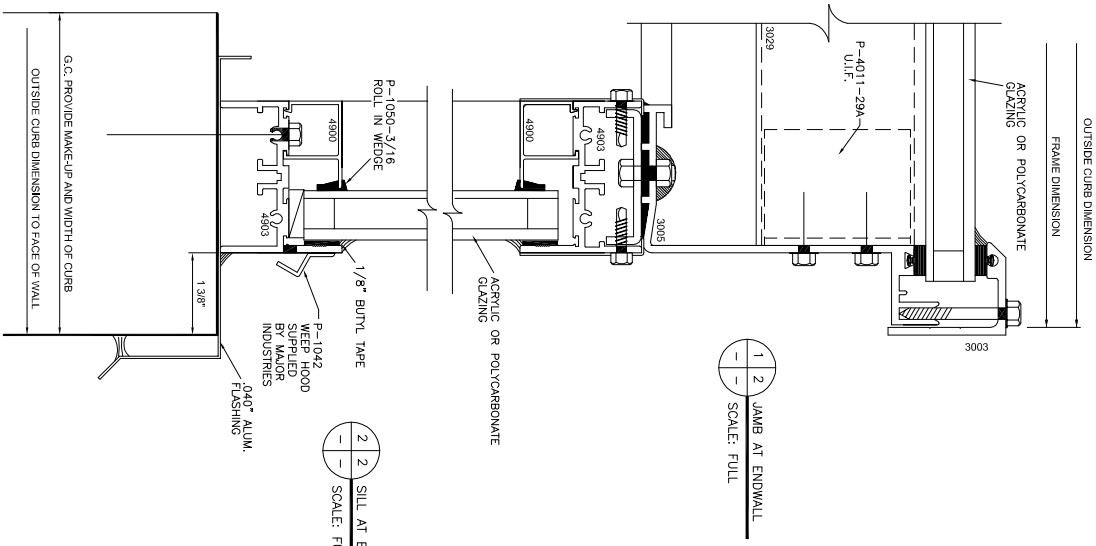
PLAN VIEW
NOT TO SCALE



MAJOR INDUSTRIES INC.
7120 STEWART AVENUE
WAUSAU, WI 54401
P.O. BOX 306
WAUSAU, WI 54402-0306

PHONE (715) 842-4616
FAX (715) 848-3336

AUBURN®
1/4 ROUND SKYLIGHT



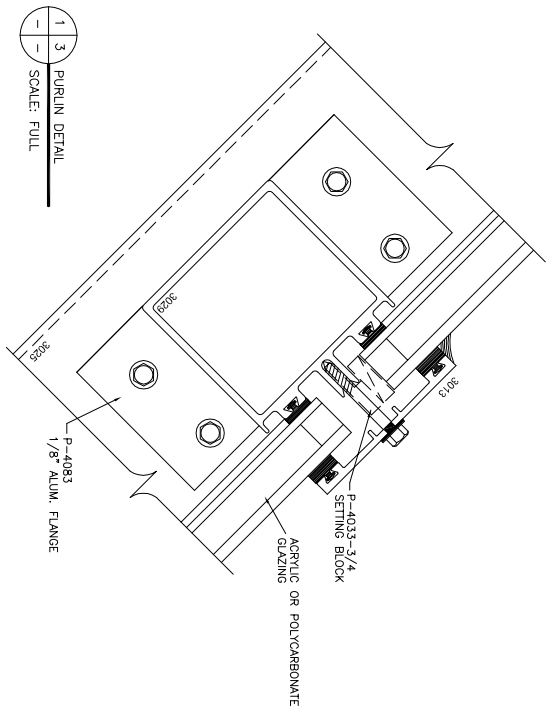
MAJOR INDUSTRIES INC.
 7120 STEWART AVENUE
 P.O. BOX 306
 WAUSAU, WI 54401
 PHONE (715) 842-4816
 FAX (715) 848-3336

AUBURN®
1/4 ROUND SKYLIGHT

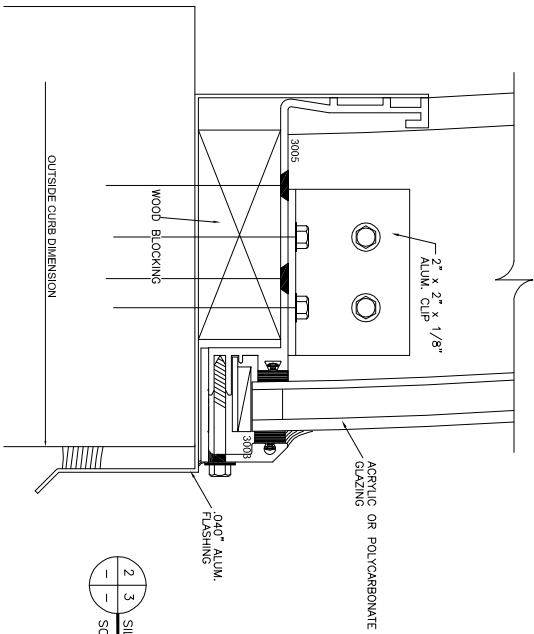
G.C. PROVIDE MAKE-UP AND WIDTH OF CURB
 OUTSIDE CURB DIMENSION TO FACE OF WALL

EXTERIOR SIDE
 ACRYLIC OR POLYCARBONATE CURBING

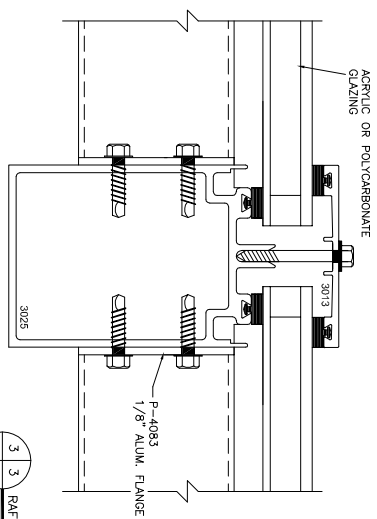
ALTERNATE DETAIL: JAMB AT VERTICAL WALL



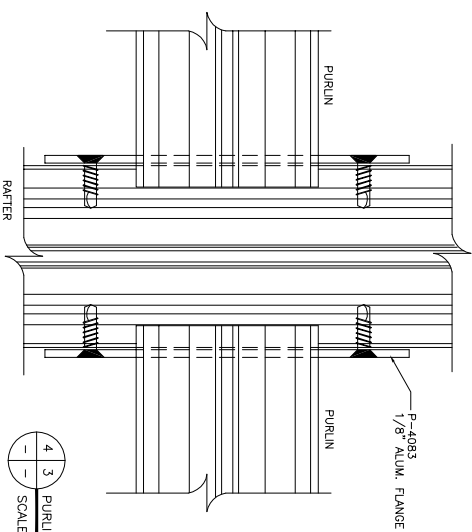
1 3 PURLIN DETAIL
SCALE: FULL



2 3 SILL DETAIL
SCALE: FULL



3 3 RAFTER DETAIL
SCALE: FULL



4 3 PURLIN CONNECTION
SCALE: FULL



MAJOR INDUSTRIES INC.
7120 STEWART AVENUE
WAUSAU, WI 54401
P.O. BOX 306
WAUSAU, WI 54402-0306

PHONE (715) 842-4816
FAX (715) 846-3336

AUBURN®

1/4 ROUND SKYLIGHT