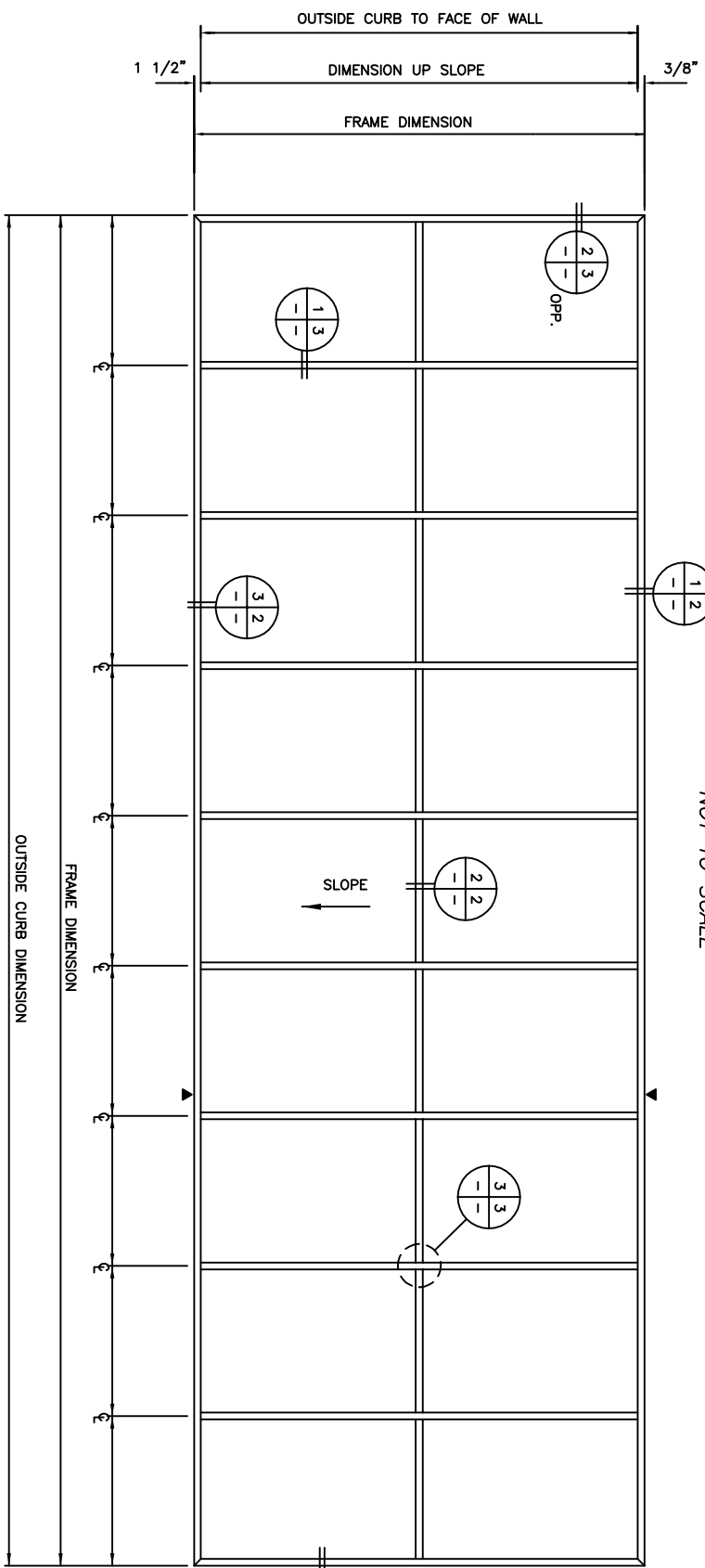




PLAN VIEW
NOT TO SCALE



INDICATES 1/4" EXPANSION JOINT (TYP) (LENGTHS > 24'-0")

MAJOR INDUSTRIES INC.
7120 STEWART AVENUE
WAUSAU, WI 54401
P.O. BOX 306
WAUSAU, WI 54402-0306

AUBURN®
SINGLE SLOPE SKYLIGHT

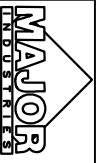
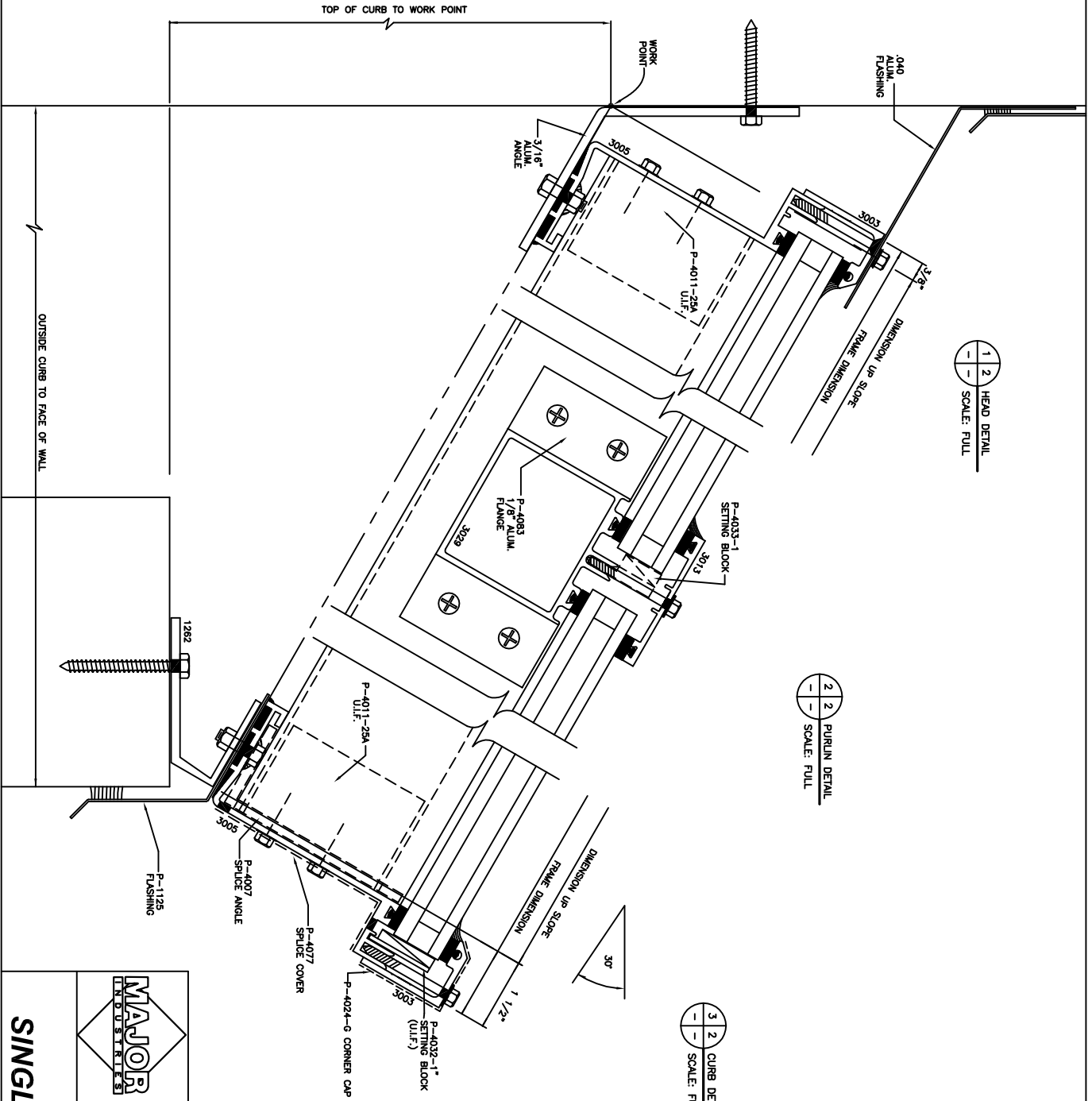
PHONE (715) 842-4616
FAX (715) 846-3336



1 2 HEAD DETAIL
SCALE: FULL

2 2 PURLIN DETAIL
SCALE: FULL

3 2 CURB DETAIL
SCALE: FULL

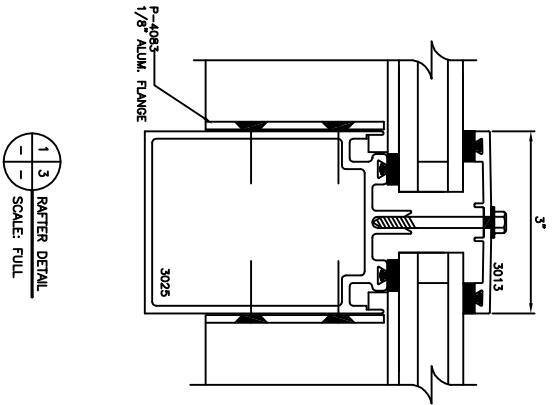


MAJOR INDUSTRIES INC.
 7120 STEWART AVENUE
 WAUSAU, WI 54401
 P.O. BOX 306
 WAUSAU, WI 54402-0306

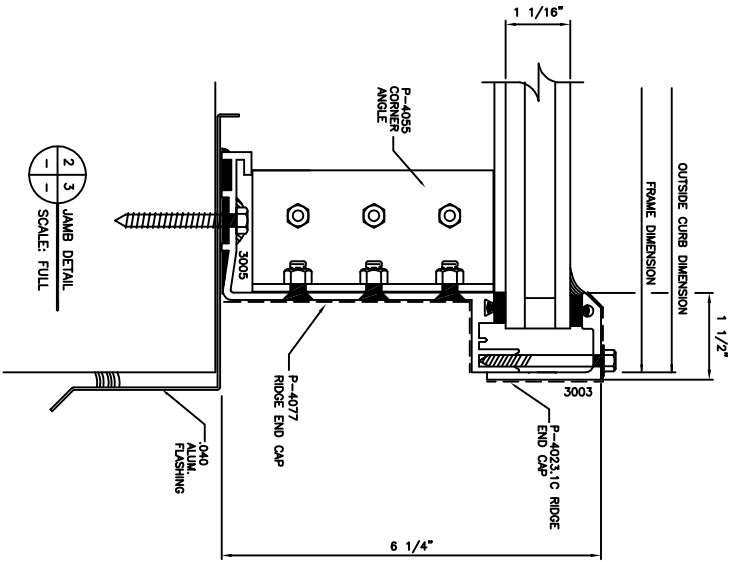
PHONE (715) 842-4616
 FAX (715) 848-3336

AUBURN®

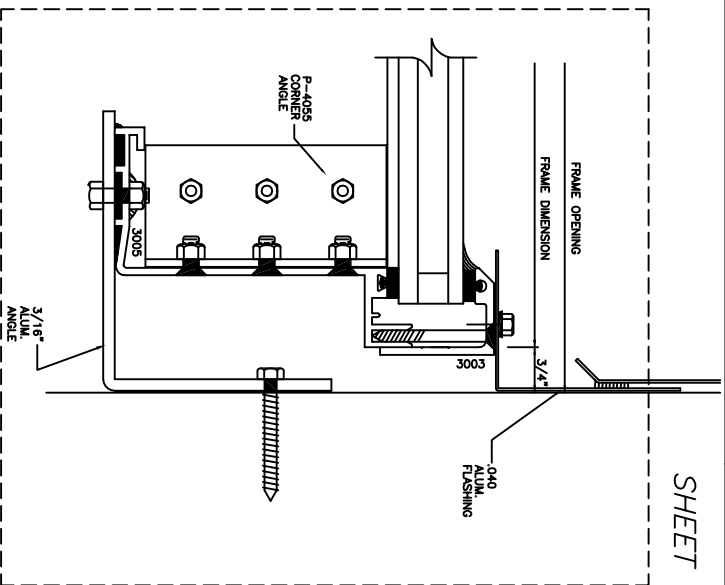
SINGLE SLOPE SKYLIGHT



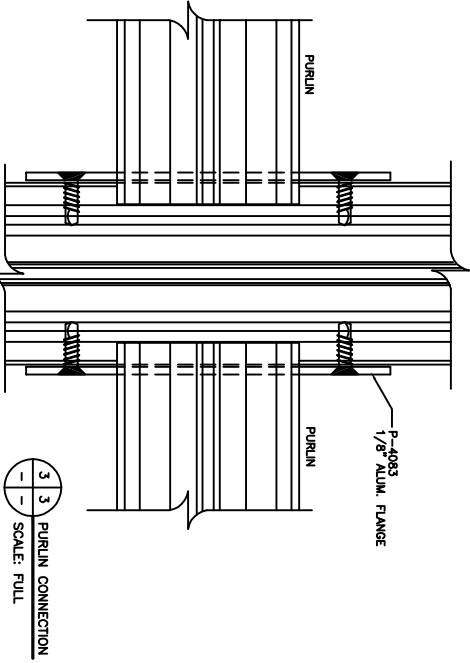
1 3 RAFTER DETAIL
SCALE: FULL



2 3 JAMB DETAIL
SCALE: FULL



ALTERNATE DETAIL: JAMB AT VERTICAL WALL



3 3 PURLIN CONNECTION
SCALE: FULL

RAFTER

MAJOR INDUSTRIES INC.

7120 STEWART AVENUE
WAUSAU, WI 54401
P.O. BOX 306
WAUSAU, WI 54402-0306

PHONE (715) 842-4816
FAX (715) 848-3336

AUBURN®

SINGLE SLOPE SKYLIGHT