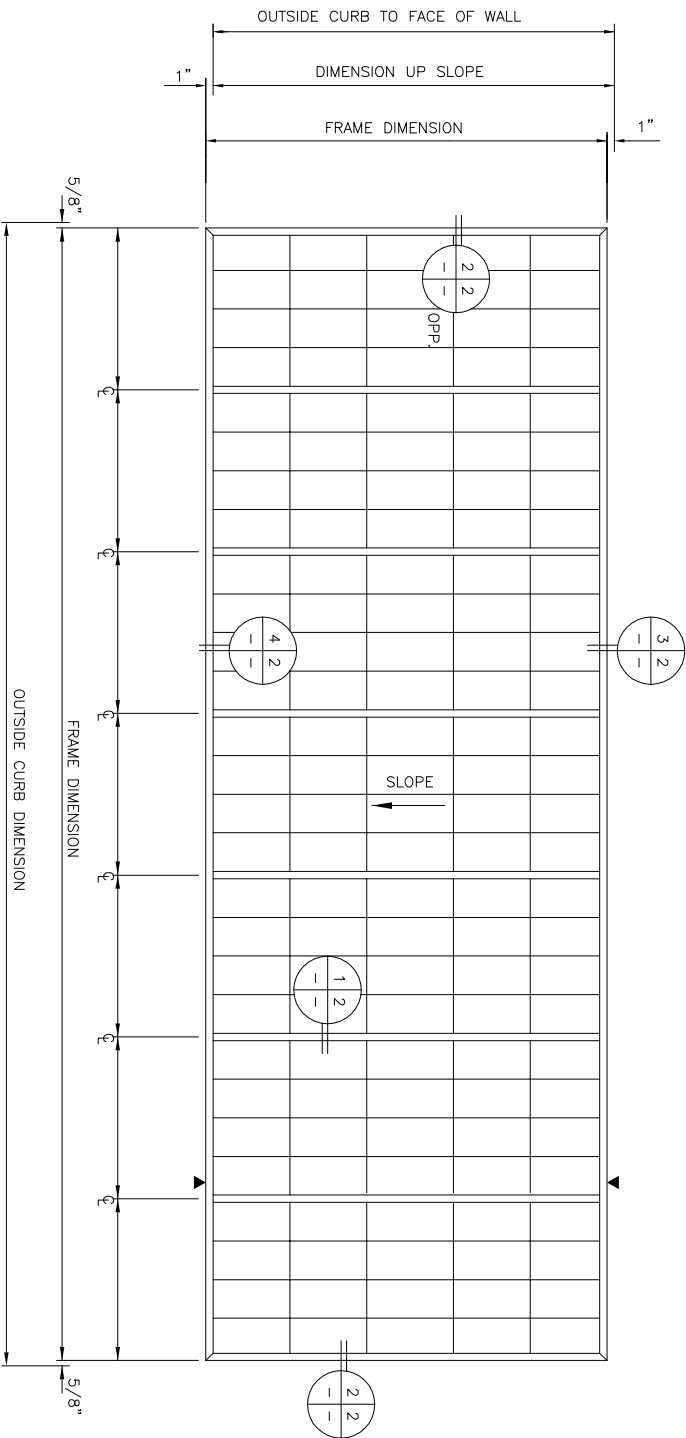




PLAN VIEW
NOT TO SCALE



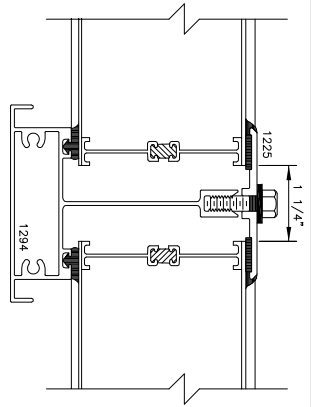
THERMALLY BROKEN PERIMETER FRAMING

INDICATES 1/4" EXPANSION JOINT (TYP) (LENGTHS > 24'-0")

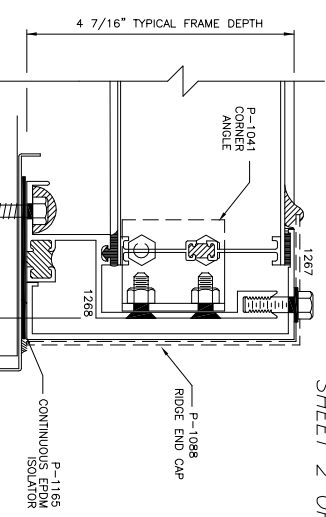
MAJOR INDUSTRIES INC.
 7120 STEWART AVENUE
 WAUSAU, WI 54401
 P.O. BOX 306
 WAUSAU, WI 54402-0306

PHONE (715) 842-4816
 FAX (715) 848-3336

GUARDIAN 275®
SINGLE SLOPE SKYLIGHT



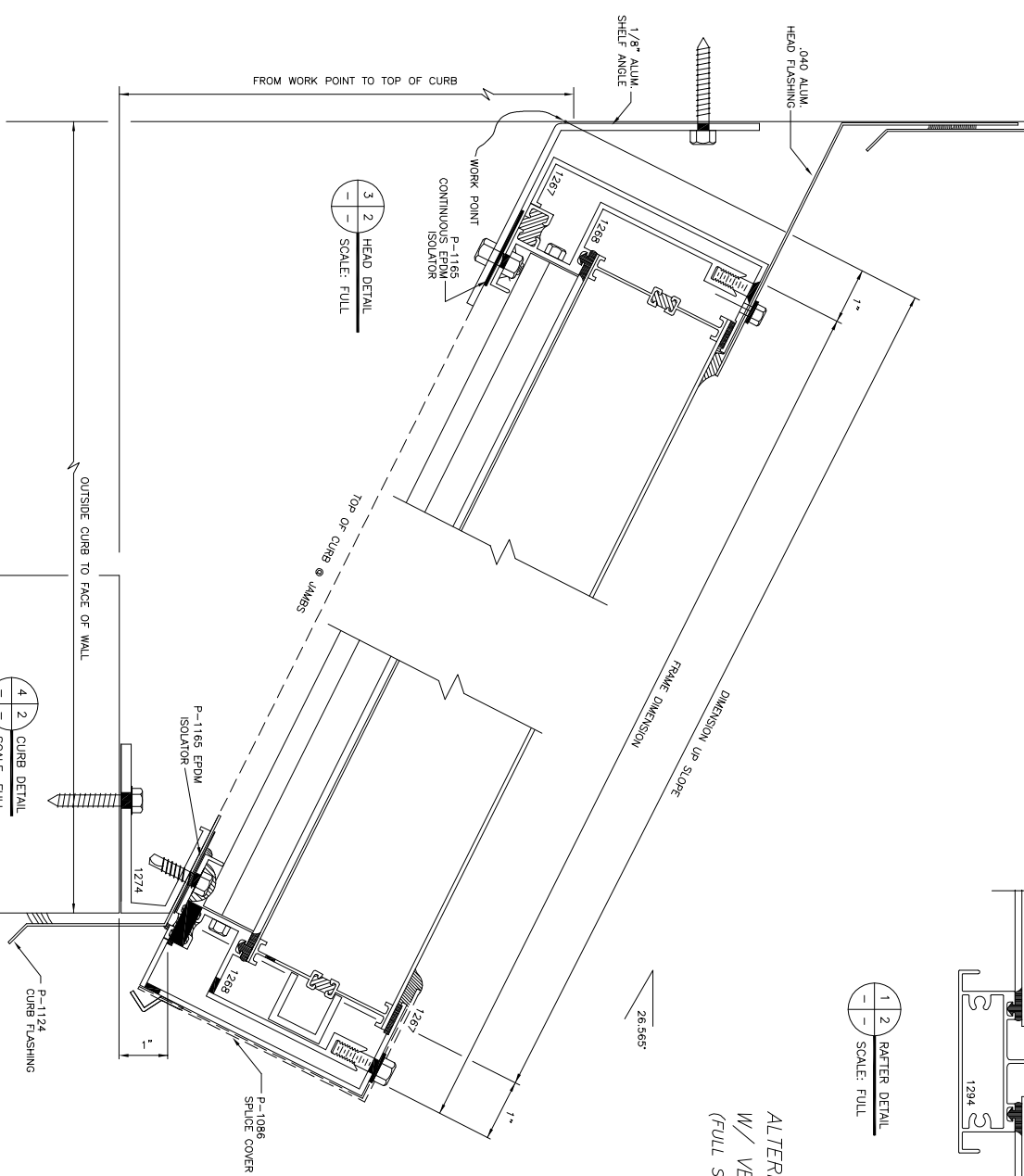
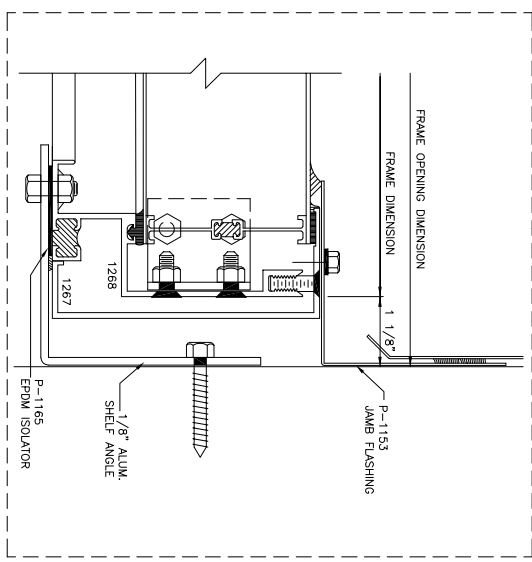
1 2 RAFTER DETAIL
SCALE: FULL



2 2 JAMB DETAIL
SCALE: FULL

SHEET 2 OF 2

ALTERNATE DETAIL:
W/ VERTICAL WALLS @ ENDS
(FULL SCALE)



3 2 HEAD DETAIL
SCALE: FULL

4 2 CURB DETAIL
SCALE: FULL

MAJOR INDUSTRIES INC.
7120 STEWART AVENUE
WAUSAU, WI 54401
P.O. BOX 306
WAUSAU, WI 54402-0306

MAJOR INDUSTRIES

PHONE (715) 842-4816
FAX (715) 848-3336

GUARDIAN 275 ®

SINGLE SLOPE SKYLIGHT