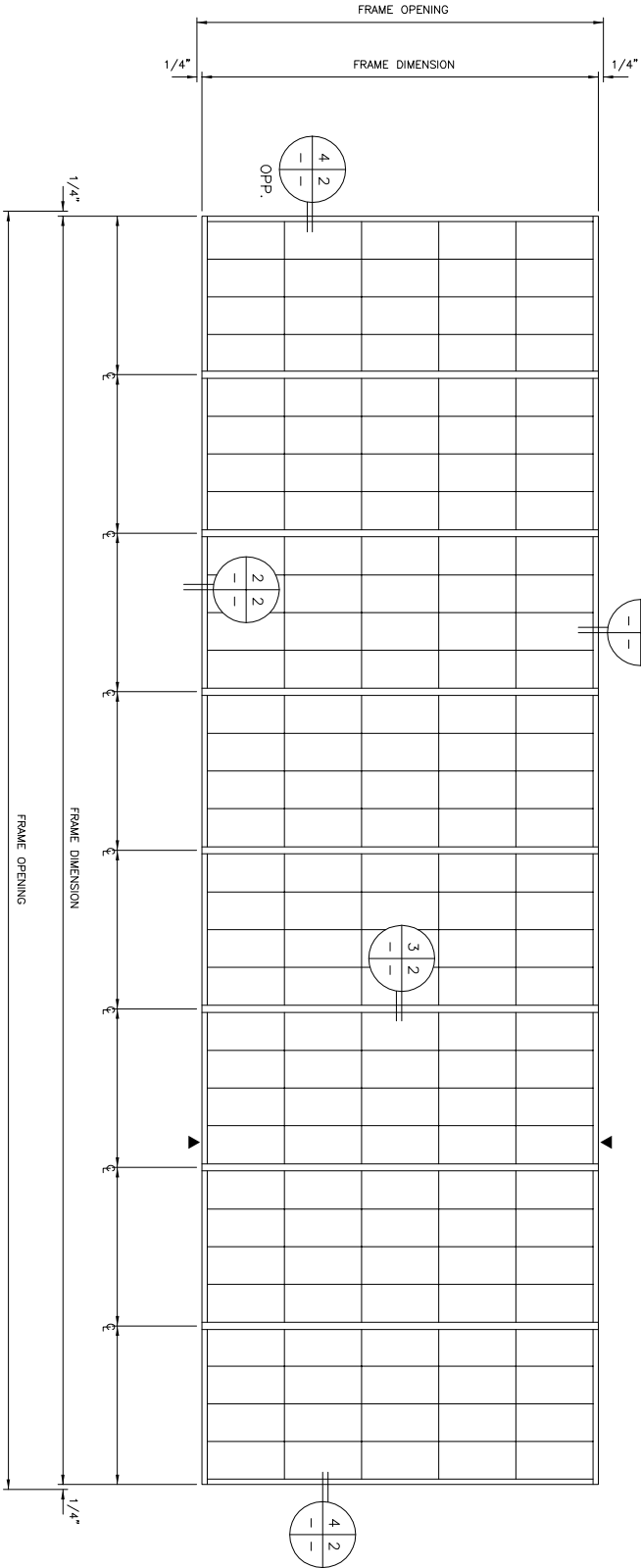




ELEVATION
NOT TO SCALE

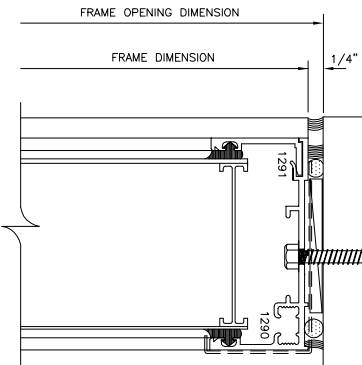


INDICATES 1/4" EXPANSION JOINT (TYP.) (LENGTHS > 24'-0")

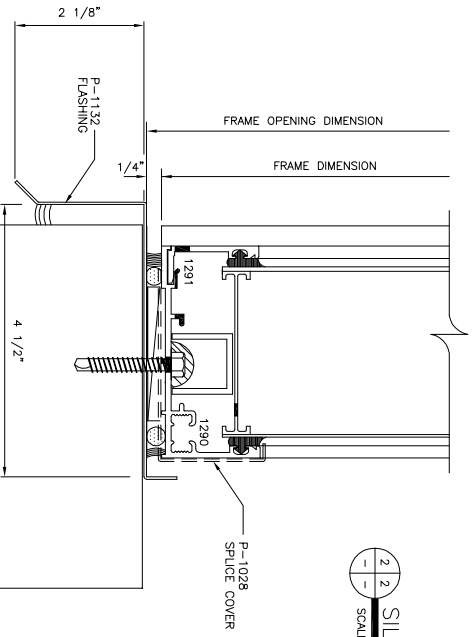
MAJOR INDUSTRIES INC.
 7120 STEWART AVENUE
 WAUSAU, WI 54401
 P.O. BOX 306
 WAUSAU, WI 54402-0306

PHONE (715) 842-4616
 FAX (715) 848-3336

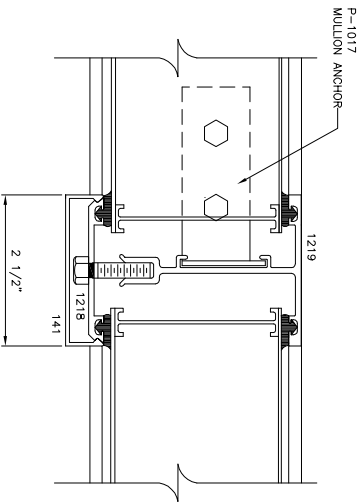
GUARDIAN 275®
WALL SYSTEM



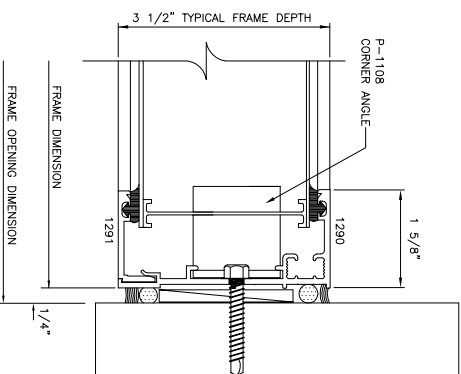
1 2 HEAD DETAIL
SCALE: FULL



2 2 SILL DETAIL
SCALE: FULL



3 2 MULLION DETAIL
SCALE: FULL



4 2 JAMB DETAIL
SCALE: FULL



MAJOR INDUSTRIES INC.

7120 STEWART AVENUE
WAUSAU, WI 54401
P.O. BOX 306
WAUSAU, WI 54402-0306

PHONE (715) 842-4616
FAX (715) 848-3336

GUARDIAN 275 ®
WALL SYSTEM