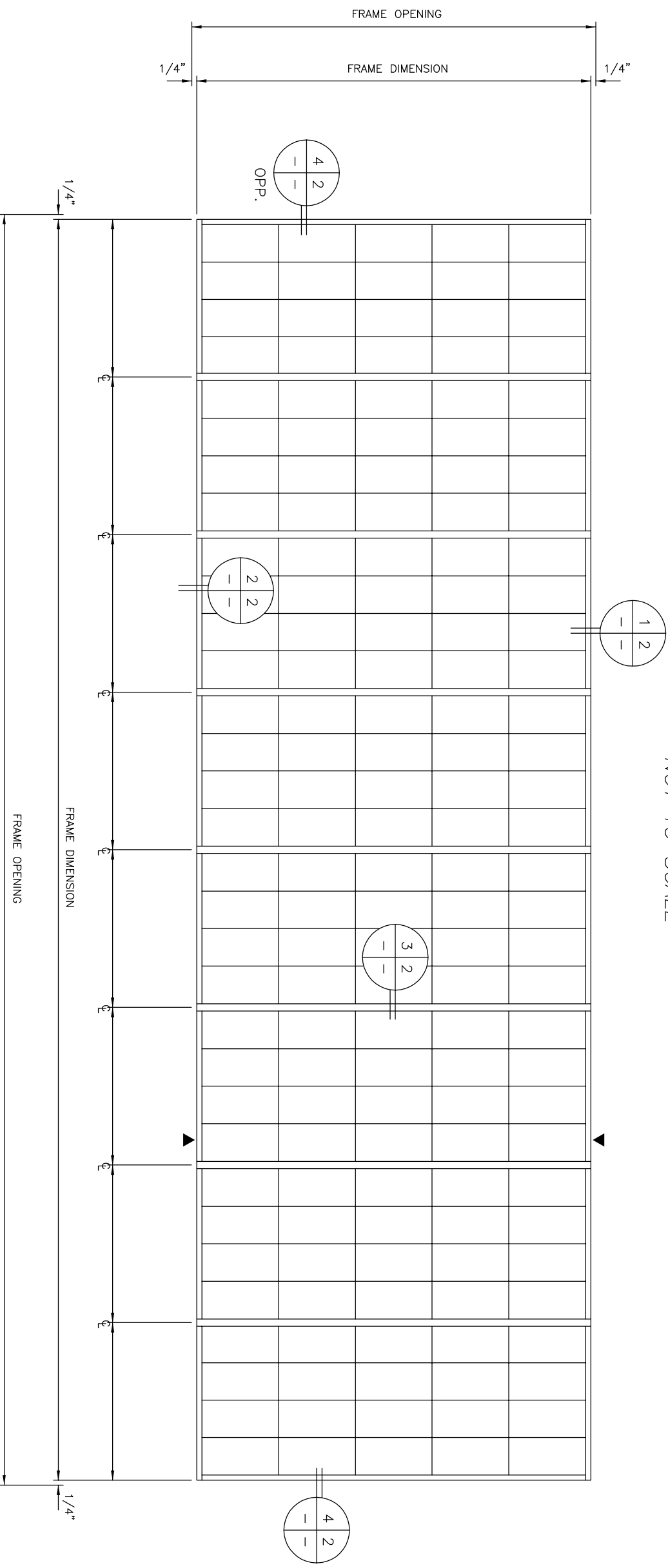


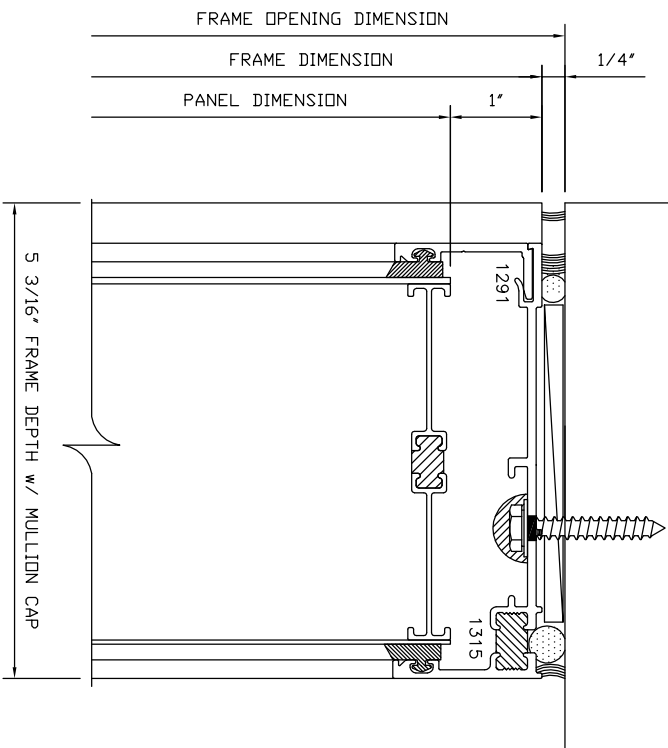
ELEVATION  
NOT TO SCALE



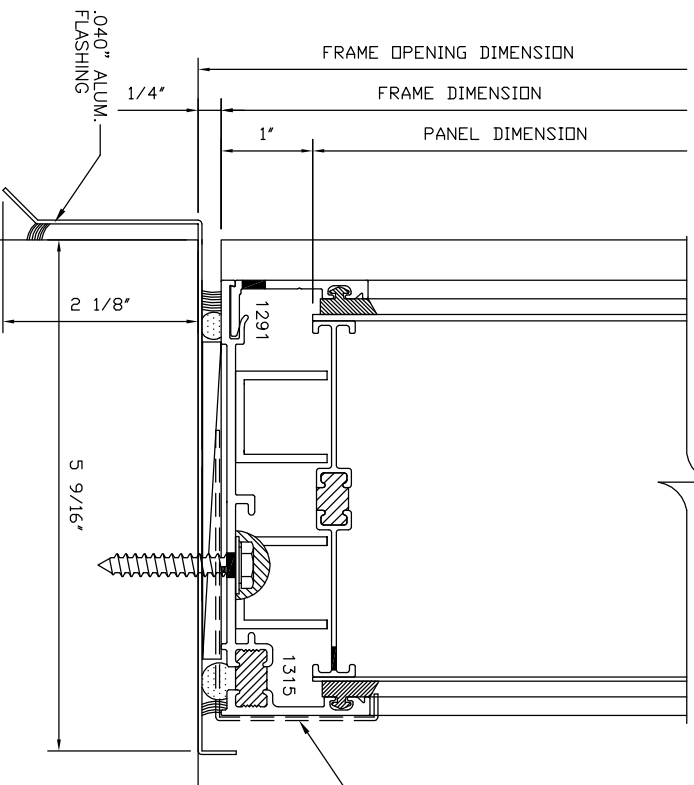
THERMALLY BROKEN SYSTEM

▲ INDICATES 1/4" EXPANSION JOINT (TYP.) (LENGTHS > 24'-0")

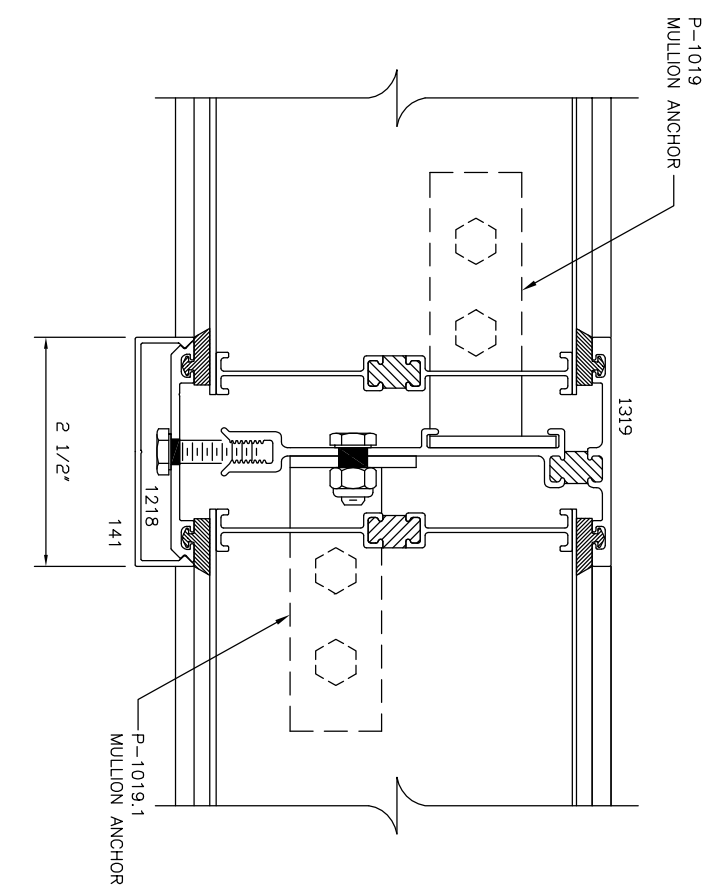
	<p><b>MAJOR INDUSTRIES INC.</b> 7120 STEWART AVENUE WAUSAU, WI 54401 P.O. BOX 306 WAUSAU, WI 54402-0306</p>	<p>PHONE (715) 842-4616 FAX (715) 848-3336</p>
<p><b>GUARDIAN 275</b> ®</p> <p><b>WALL SYSTEM</b></p>		



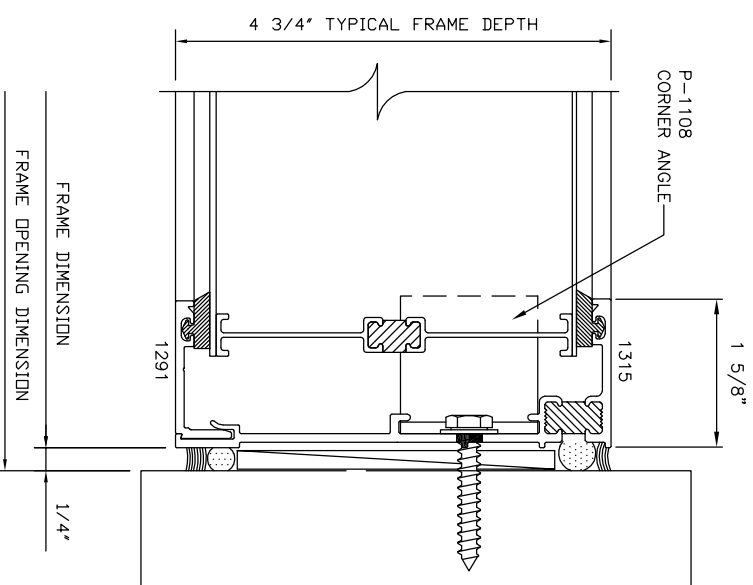
1 2  
— —  
HEAD DETAIL  
SCALE: FULL



2 2  
— —  
SILL DETAIL  
SCALE: FULL



3 2  
— —  
MULLION DETAIL  
SCALE: FULL



4 2  
— —  
JAMB DETAIL  
SCALE: FULL

P-1028  
SPLICE COVER

**MAJOR INDUSTRIES INC.**

**MAJOR INDUSTRIES**  
7120 STEWART AVENUE  
WAUSAU, WI 54401  
P.O. BOX 306  
WAUSAU, WI 54402-0306

PHONE (715) 842-4616  
FAX (715) 848-3336

**GUARDIAN 275**®  
**WALL SYSTEM**