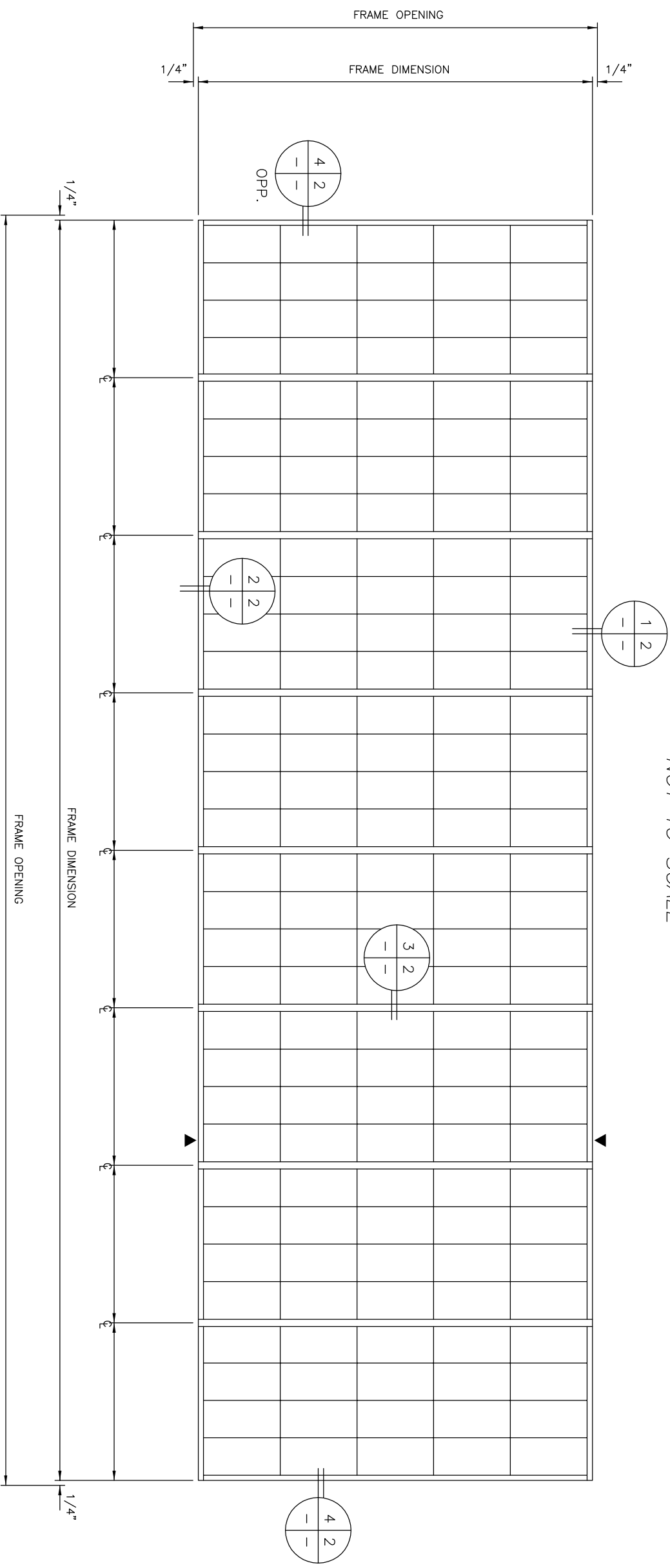
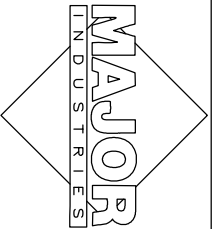


ELEVATION
NOT TO SCALE



THERMALLY BROKEN SYSTEM

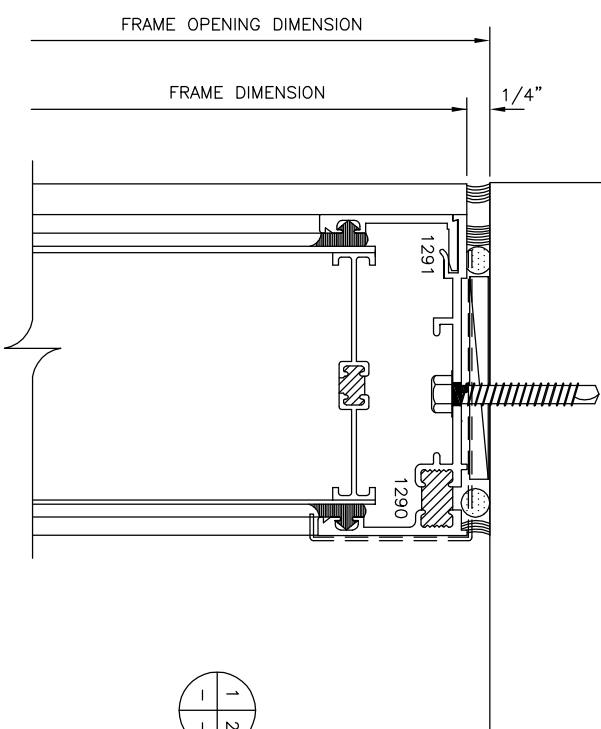
▲ INDICATES 1/4" EXPANSION JOINT (T.P.) (LENGTHS > 24'-0")



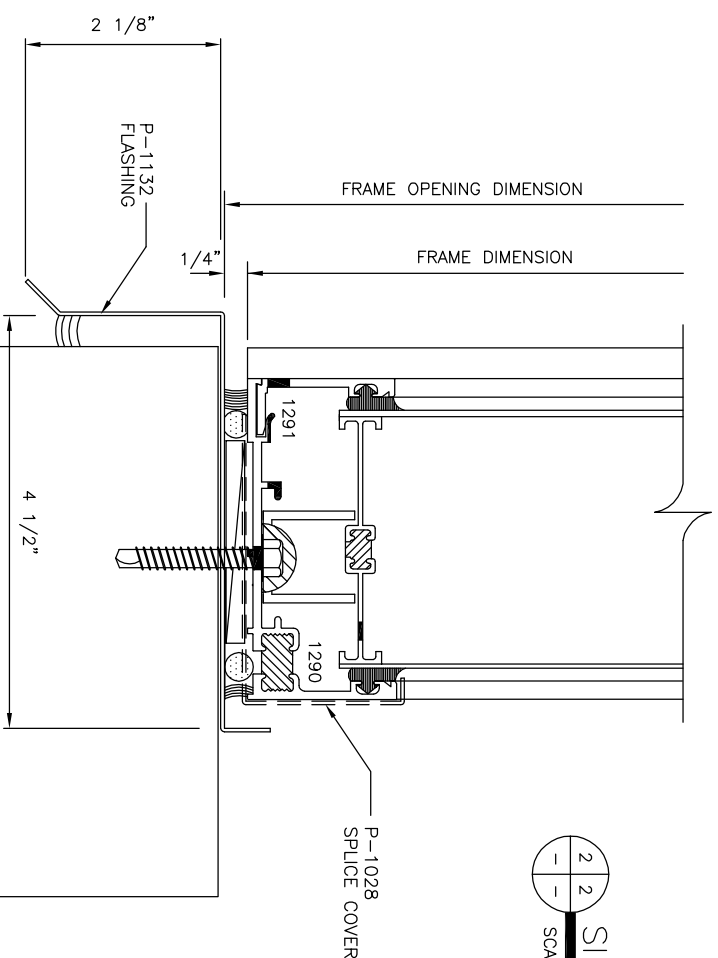
MAJOR INDUSTRIES INC.
7120 STEWART AVENUE
WAUSAU, WI 54401
P.O. BOX 306
WAUSAU, WI 54402-0306

PHONE (715) 842-4616
FAX (715) 848-3336

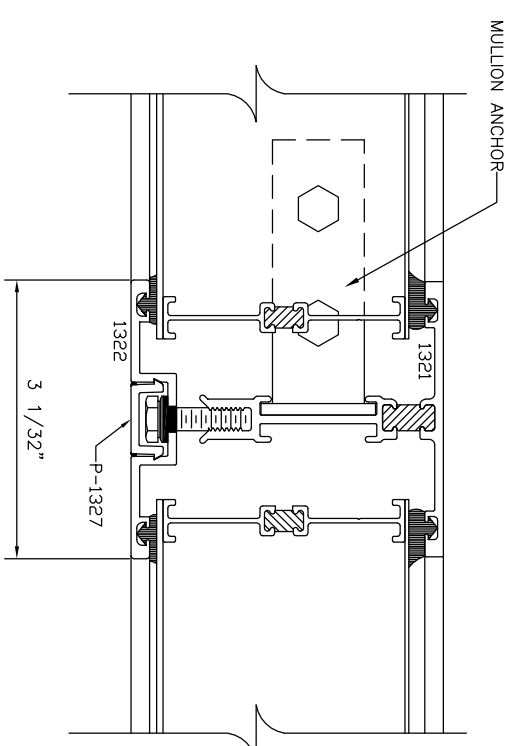
GUARDIAN 275 ®
WALL SYSTEM



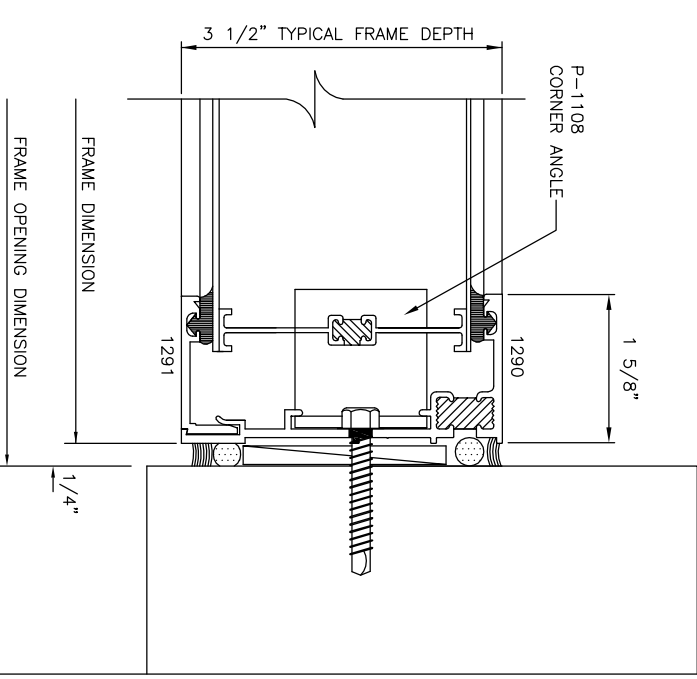
1 2 HEAD DETAIL
SCALE: FULL



2 2 SILL DETAIL
SCALE: FULL



3 2 MULLION DETAIL
SCALE: FULL



4 2 JAMB DETAIL
SCALE: FULL

MAJOR INDUSTRIES INC.

7120 STEWART AVENUE
WAUSAU, WI 54401
P.O. BOX 306
WAUSAU, WI 54402-0306

PHONE (715) 842-4616
FAX (715) 848-3336

GUARDIAN 275®
WALL SYSTEM