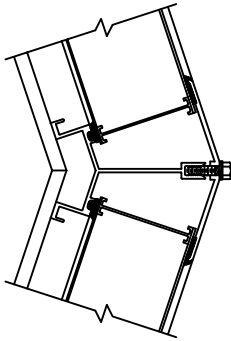
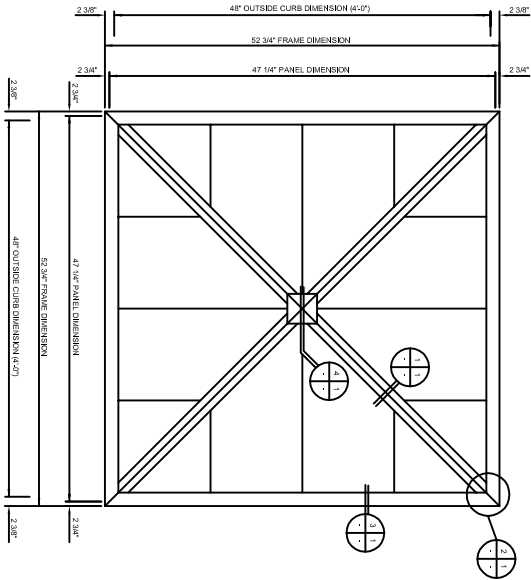
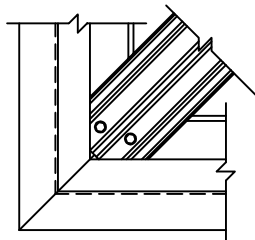




QUICKSHIP 4 FT - 26 1/2° PYRAMID



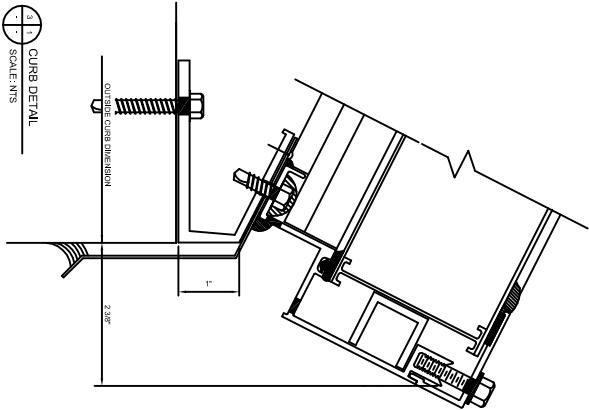
HIP DETAIL
SCALE: NTS



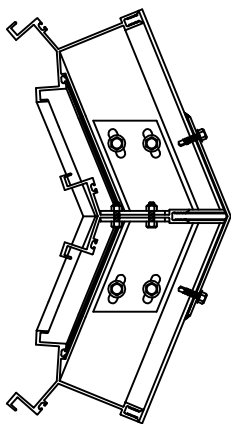
HIP CONNECTION
SCALE: NTS



GUARDIAN 275
QUICKSHIP PYRAMID
TRANSLUCENT PANEL
SKYLIGHT SYSTEM

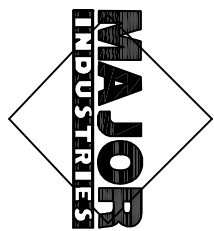


CURB DETAIL
SCALE: NTS



COMPRESSION CONNECTION
SCALE: NTS

QS4-612PKD



GUARDIAN 275[®]
TRANSLUCENT PANEL
SKYLIGHT SYSTEM

UNIT IS PICTURED
WITH STANDARD
GRID CORE.

THERMALLY BROKEN
OPTION IS NOT
SHOWN.

MAJOR INDUSTRIES, INC.
7120 STEWART AVENUE
WAUSAU, WI 54401
PO BOX 306
WAUSAU, WI 54402-0306

TELEPHONE:
(715) 842-4616
ENGINEERING FAX:
(715) 843-5139

QUICKSHIP 4'-0" - 26 1/2° PYRAMID