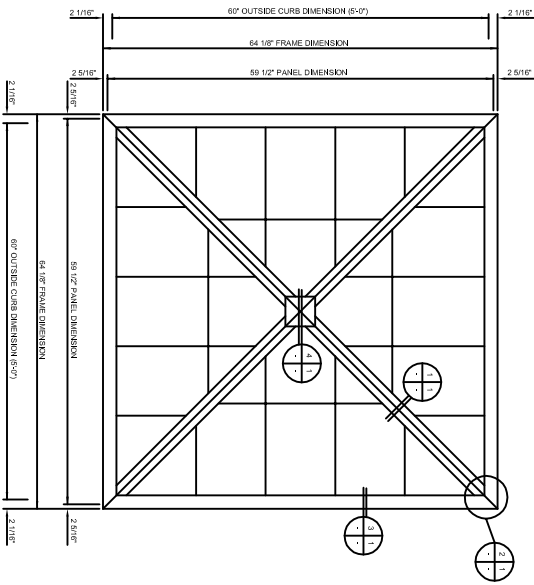
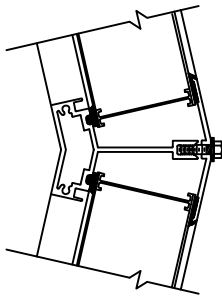




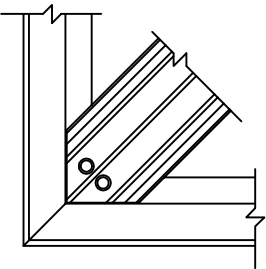
QUICKSHIP 5 FT - 18 1/2° PYRAMID



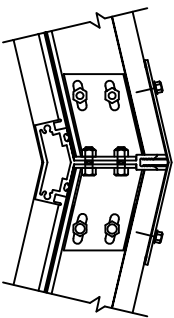
GUARDIAN 275
QUICKSHIP PYRAMID
TRANSLUCENT PANEL
SKYLIGHT SYSTEM



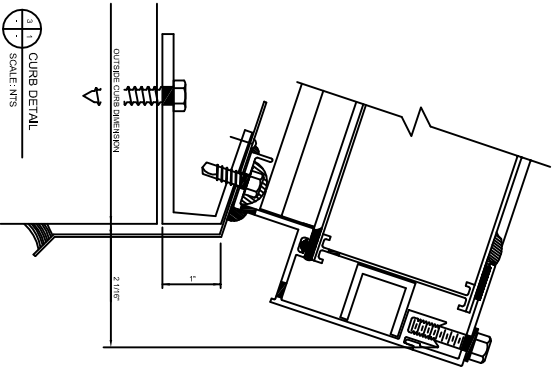
HIP DETAIL
SCALE: NTS



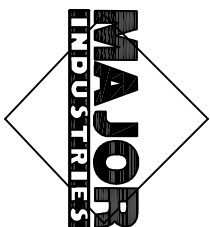
HIP CONNECTION
SCALE: NTS



COMPRESSION CONNECTION
SCALE: NTS



CURB DETAIL
SCALE: NTS



GUARDIAN 275[®]
TRANSLUCENT PANEL
SKYLIGHT SYSTEM

UNIT IS PICTURED
WITH STANDARD
GRID CORE.

THERMALLY BROKEN
OPTION IS NOT
SHOWN.

QS5-412PKD

MAJOR INDUSTRIES, INC.

7120 STEWART AVENUE

WAUSAU, WI 54401

PO BOX 306

WAUSAU, WI 54402-0306

TELEPHONE:

(715) 842-4616

ENGINEERING FAX:

(715) 843-5139

QUICKSHIP

5'-0" - 18 1/2° PYRAMID