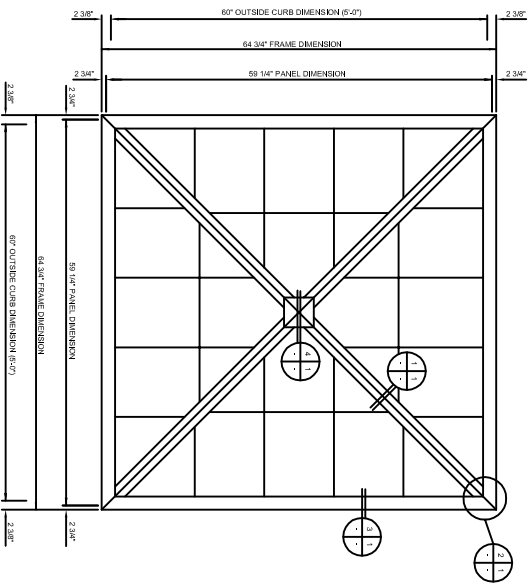
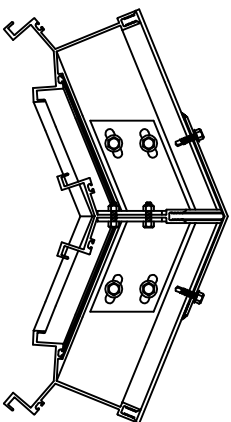
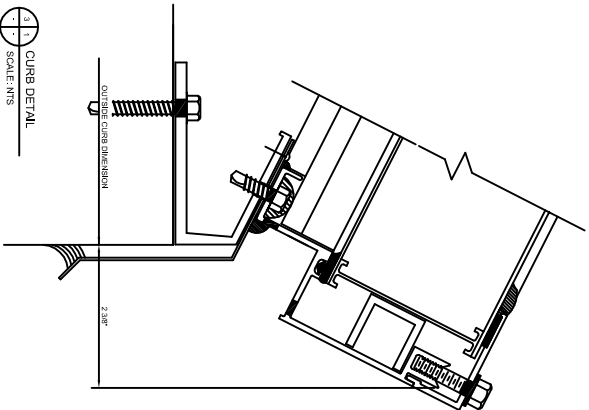
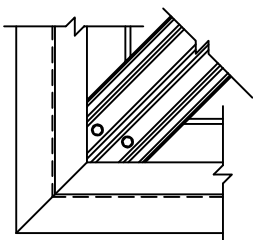
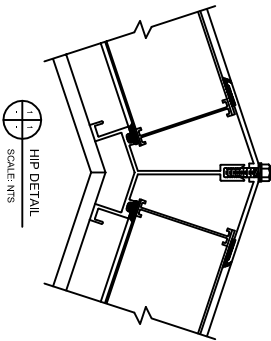




# QUICKSHIP 5 FT - 26 1/2° PYRAMID



GUARDIAN 275  
QUICKSHIP PYRAMID  
TRANSLUCENT PANEL  
SKYLIGHT SYSTEM



GUARDIAN 275<sup>®</sup>  
TRANSLUCENT PANEL  
SKYLIGHT SYSTEM

UNIT IS PICTURED  
WITH STANDARD  
GRID CORE.

THERMALLY BROKEN  
OPTION IS NOT  
SHOWN.

## QS5-612PKD

**MAJOR INDUSTRIES, INC.**

7120 STEWART AVENUE

WAUSAU, WI 54401

PO BOX 306

WAUSAU, WI 54402-0306

TELEPHONE:

(715) 842-4616

ENGINEERING FAX:

(715) 843-5139

**QUICKSHIP**

**5'-0" - 26 1/2° PYRAMID**