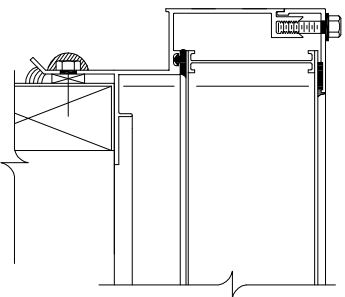
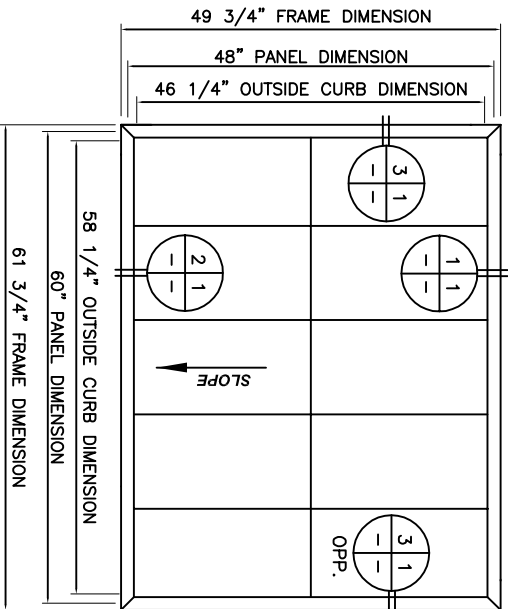


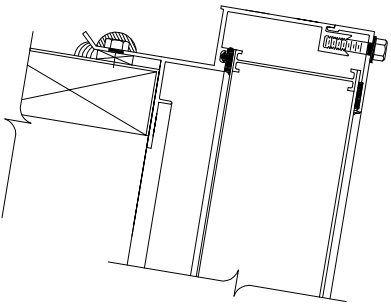


QUICKSHIP 5' long x 4' upslope SELF FLASHING SINGLE SLOPE

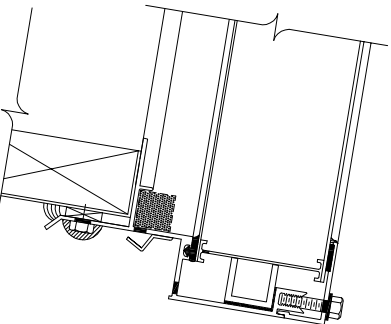


3 1 JAMB
- -
DETAIL

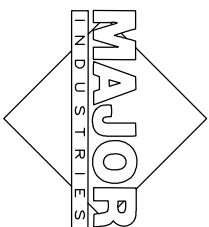
1 1 HEAD
- -
DETAIL



2 1 SILL
- -
DETAIL



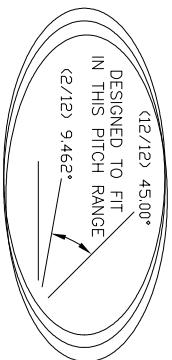
GUARDIAN 275
 QUICKSHIP SINGLE SLOPE
 TRANSLUCENT PANEL
 SKYLIGHT SYSTEM



GUARDIAN 275®
 TRANSLUCENT PANEL
 SKYLIGHT SYSTEM

UNIT IS PICTURED
 WITH STANDARD
 GRID CORE.

THERMALLY BROKEN
 OPTION IS NOT
 SHOWN.



QS5 - 4SFSS

MAJOR INDUSTRIES INC.
 7120 STEWART AVENUE
 WAUSAU, WI 54401
 P.O. BOX 306
 WAUSAU, WI 54402-0306

PHONE (715) 842-4816
 FAX (715) 848-3336

QUICKSHIP SINGLE SLOPE
 5' x 4' SELF-FLASHING