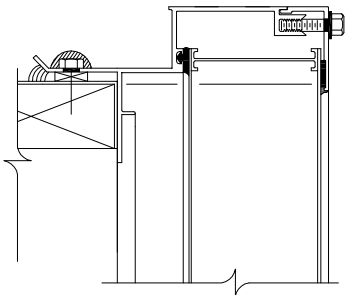
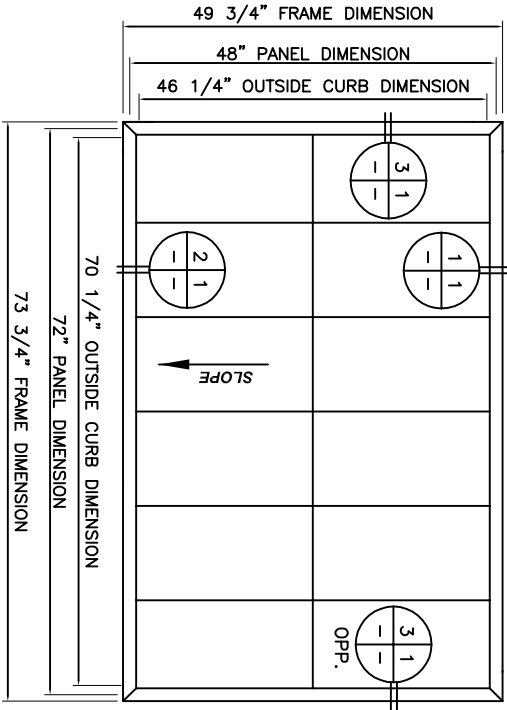


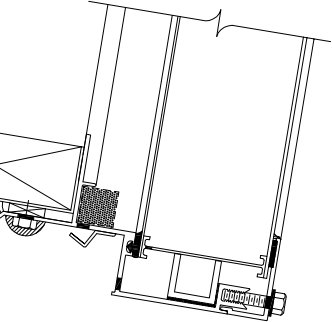
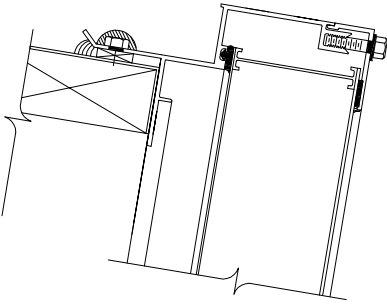


QUICKSHIP 6' long x 4' upslope SELF FLASHING SINGLE SLOPE



3 1
- -
- -
JAMB
DETAIL

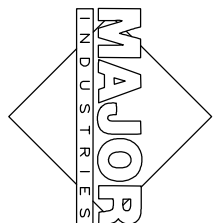
1 1
- -
- -
HEAD
DETAIL



2 1
- -
- -
SILL
DETAIL



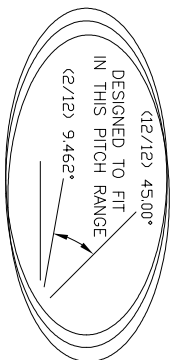
GUARDIAN 275
QUICKSHIP SINGLE SLOPE
TRANSLUCENT PANEL
SKYLIGHT SYSTEM



GUARDIAN 275®
TRANSLUCENT PANEL
SKYLIGHT SYSTEM

UNIT IS PICTURED
WITH STANDARD
GRID CORE.

THERMALLY BROKEN
OPTION IS NOT
SHOWN.



(12/12) 45.00°
DESIGNED TO FIT
IN THIS PITCH RANGE
(2/12) 9.462°

QS6-4SFSS



MAJOR INDUSTRIES INC.

7120 STEWART AVENUE
WAUSAU, WI 54401
P.O. BOX 306
WAUSAU, WI 54402-0306

PHONE (715) 842-4816
FAX (715) 848-3336

QUICKSHIP SINGLE SLOPE

6' x 4' SELF-FLASHING