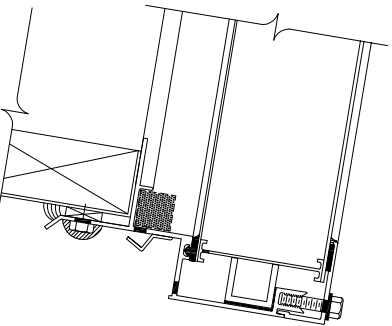
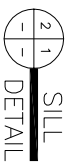
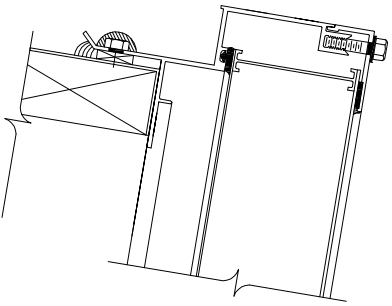
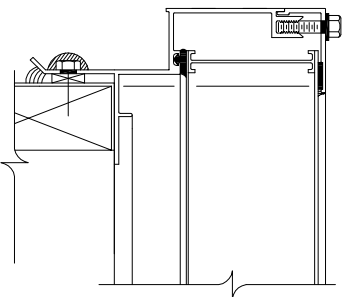
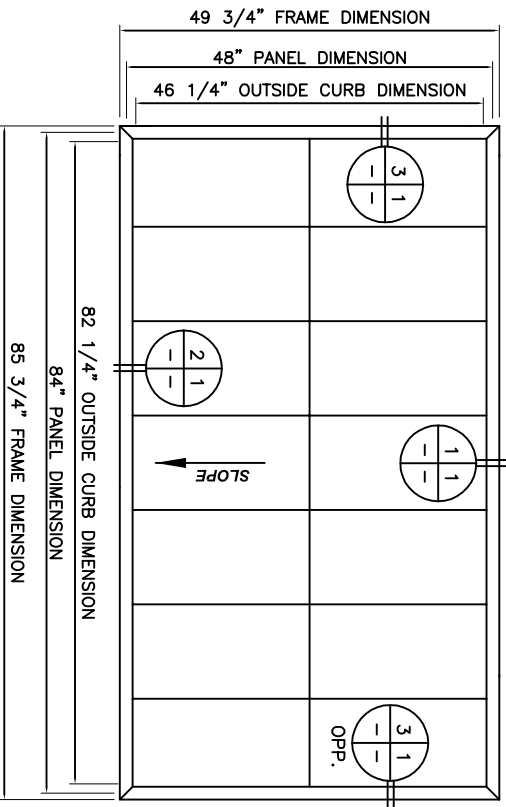
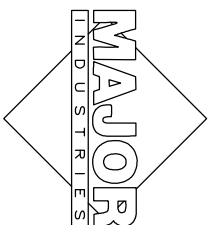




# QUICKSHIP 7' long x 4' upslope SELF FLASHING SINGLE SLOPE



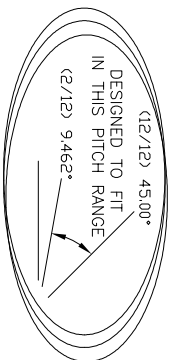
GUARDIAN 275  
 QUICKSHIP SINGLE SLOPE  
 TRANSLUCENT PANEL  
 SKYLIGHT SYSTEM



GUARDIAN 275®  
 TRANSLUCENT PANEL  
 SKYLIGHT SYSTEM

UNIT IS PICTURED  
 WITH STANDARD  
 GRID CORE.

THERMALLY BROKEN  
 OPTION IS NOT  
 SHOWN.



QS7-4SFSS



MAJOR INDUSTRIES INC.  
 7120 STEWART AVENUE  
 WAUSAU, WI 54401  
 P.O. BOX 306  
 WAUSAU, WI 54402-0306

PHONE (715) 842-4816  
 FAX (715) 848-3336

QUICKSHIP SINGLE SLOPE  
 7' x 4' SELF-FLASHING