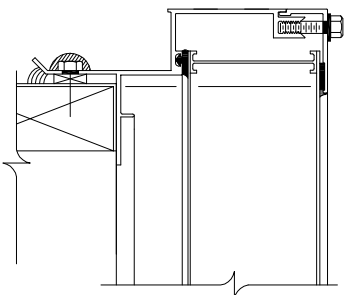
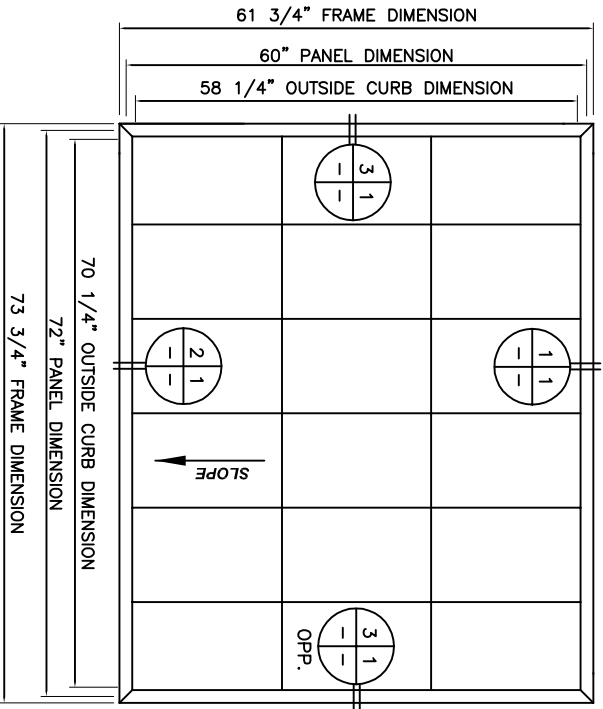


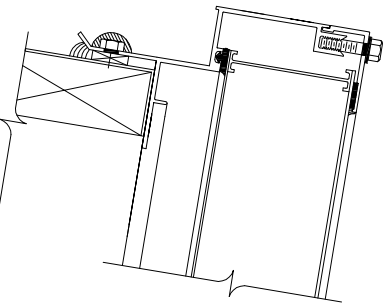


QUICKSHIP 6' long x 5' upslope SELF FLASHING SINGLE SLOPE

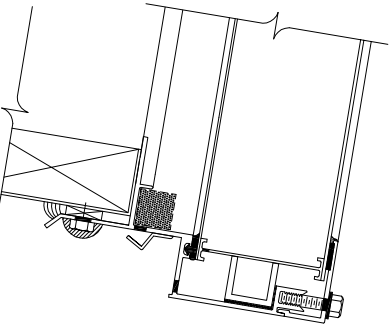


3 1 JAMB
DETAIL

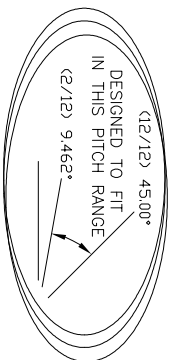
HEAD
DETAIL



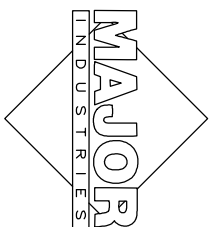
2 1 SILL
DETAIL



GUARDIAN 275
QUICKSHIP SINGLE SLOPE
TRANSLUCENT PANEL
SKYLIGHT SYSTEM



SS6 - SSFS



GUARDIAN 275®
TRANSLUCENT PANEL
SKYLIGHT SYSTEM

UNIT IS PICTURED
WITH STANDARD
GRID CORE.

THERMALLY BROKEN
OPTION IS NOT
SHOWN.

MAJOR INDUSTRIES
7120 STEWART AVENUE
WAUSAU, WI 54401
P.O. BOX 306
WAUSAU, WI 54402-0306

PHONE (715) 842-4816
FAX (715) 848-3336

MAJOR INDUSTRIES INC.

QUICKSHIP SINGLE SLOPE
6' x 5' SELF-FLASHING