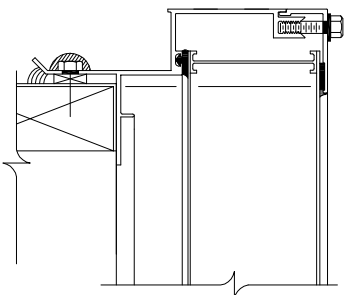
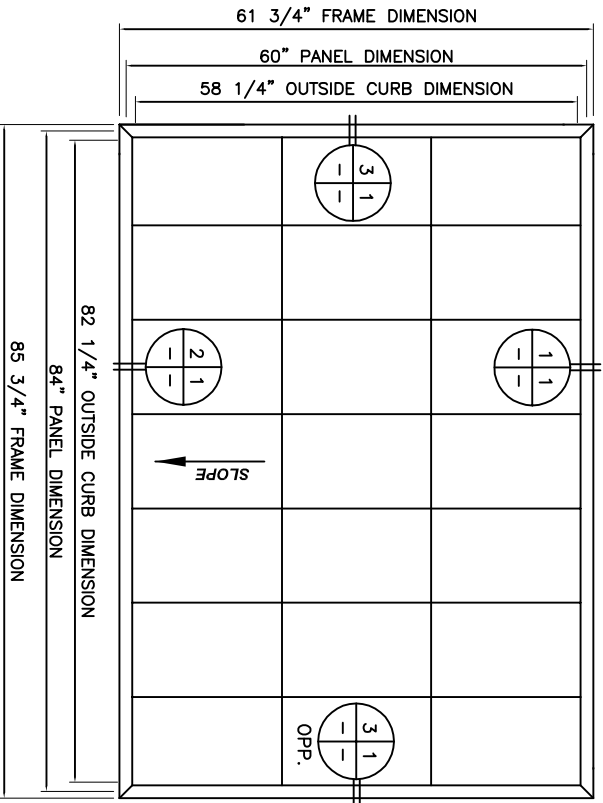


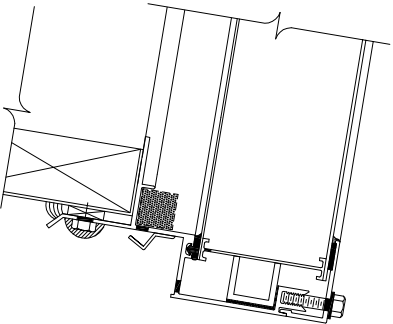
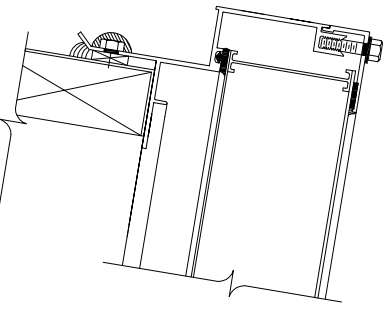


QUICKSHIP 7' long x 5' upslope SELF FLASHING SINGLE SLOPE

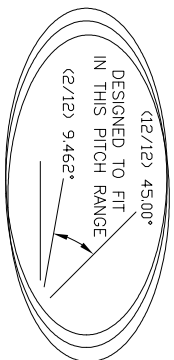


3 1 JAMB
DETAIL

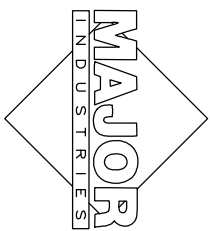
1 1 HEAD
DETAIL



2 1 SILL
DETAIL



GUARDIAN 275
QUICKSHIP SINGLE SLOPE
TRANSLUCENT PANEL
SKYLIGHT SYSTEM



GUARDIAN 275®
TRANSLUCENT PANEL
SKYLIGHT SYSTEM

UNIT IS PICTURED
WITH STANDARD
GRID CORE.

THERMALLY BROKEN
OPTION IS NOT
SHOWN.

QS7 - 5SFS

MAJOR INDUSTRIES
7120 STEWART AVENUE
WAUSAU, WI 54401
P.O. BOX 306
WAUSAU, WI 54402-0306

PHONE (715) 842-4816
FAX (715) 848-3336

MAJOR INDUSTRIES INC.

QUICKSHIP SINGLE SLOPE
7' x 5' SELF-FLASHING